



**CBF-HP SERIES
CHEMICAL BY-PASS FEEDER
(POT FEEDER)**

Axiom's Chemical By-Pass Feeder delivers chemicals to any closed loop system. Maintaining a chemically balanced hydronic system has never been easier.

Max Pressure and Temperature: 300psi (2.07MPa) at 200°F (93°C)

Connections: FNPT (3/4")



FEATURES and BENEFITS

- Allows for safe and easy chemical dosing.
- Ball valve for easy chemical dosing and pot feeder isolation
- Wide opening for adding dry chemical
- Graduated funnel with stainless steel filter for clean, accurate, and mess free chemical addition
- Pressure vessel and fittings made with brass and Carbon steel
- 2 Gallon (7.6 litre) and 5 Gallon (18.9 litre) models available
- Wall bracket available for 2 Gallon (7.6litre) model
- 5 Gallon (18.9L) model comes with adjustable steel legs.

TOLL FREE: (877) 651-1815 PHONE: (306) 651-1815 EMAIL: info@axiomind.com

www.axiomind.com

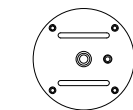
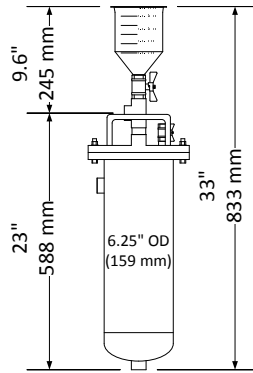


INDUSTRIES LIMITED

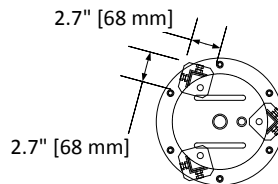
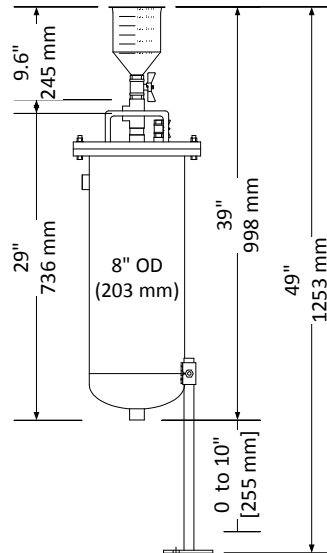
	Model	Size	Pressure Vessel Volume	Max Pressure
<input type="checkbox"/>	CBF-2-HP	¾"	2 gal (7.6L)	300psi (2.07MPa)
<input type="checkbox"/>	CBF-5-HP	¾"	5 gal (18.9L)	300psi (2.07MPa)

SPECIFICATION

Chemical By-Pass Feeder shall be AXIOM INDUSTRIES LTD. model CBF-_____-HP. System shall include carbon steel chemical by-pass feeder, ¾" NPT carbon steel tee, two ¾" NPT carbon steel nipples, ¾" NPT brass ball valve, 1/4" NPT brass ball valve, and 20 US oz.(600 mL) polyethylene graduated funnel with integral 20 mesh strainer and ¾" NPT connection. The CBF series pot feeder is not for use with potable water. Model CBF-5-HP series comes with three 17.6" (44.7cm) long adjustable steel legs.



CBF-2-HP



CBF-5-HP

ACCESSORIES

- CBF-B** – Wall mount bracket for the CBF-2 or CBF-2-HP

LIMITED WARRANTY

The Axiom CBF Chemical By-Pass Feeder is warranted against defects in materials and workmanship for one year.

Project _____ Location _____
 Consultant _____ Contractor _____
 Unit Tag _____ Sales Agent _____