



INDUSTRIES LIMITED

Installation, Operation & Maintenance
Instructions for SF Series Solution Feeders

Axiom Industries Ltd.
3603 Burron Avenue
Saskatoon, SK
S7P 0E4
Ph: (306) 651-1815
Fax: (306) 651-2293
Email: sales@axiomind.com



INDUSTRIES LIMITED

SF100, SF100-L SF100-HP and SF100-L-HP HYDRONIC SYSTEM FEEDER

INSTALLATION, OPERATION AND MAINTENANCE INSTRUCTIONS

Installation Instructions

WARNING: “Risk of electrical shock”. This pump is supplied with a grounding connector and grounding-type attachment plug. To reduce the risk of electrical shock, be certain that it is connected only to a properly grounded, grounding-type receptacle. To prevent electrical shock, disconnect power before initiating any work. In the case of pump failure, the motor housing and/or the pumped fluid may carry high voltage to components normally considered safe.

Set the solution feeder on a secure and level base. Connect the flexible hose supplied with the unit to your system connection point - use a union and isolation valve to allow for future service. **Note that the check valve supplied with the unit must be on the system end of the flexible hose.**

NOTE - Relief and drain valves may be piped to the SF100 tank, but any holes for entry of these pipes should be cut into the side of the tank near the top rather than through the cover. This will allow the cover and top to be easily removed if necessary.

Fill the SF100 tank with fluid. The unit is suitable for water or glycol/water solutions of up to 50% glycol concentration.

Operation Instructions

Leave the field installed isolation valve closed until the SF100 has been cycled and checked for leaks.

Plug the SF100 into an approved electrical outlet. The pump will start, charge the pressure tank, and stop automatically. Check to ensure that all joints are tight and there are no leaks.

NOTE - It may be necessary to purge air from the lines before the pump can draw fluid from the tank. This can be done with the diverting valve, which is accessible through the hole on the left-hand side of the cover. Turn the valve handle so that it is vertical to purge air - return it to horizontal for normal operation.

Verify that the outlet pressure registered on the pressure gauge meets your system needs. It is factory set at 12 psig (83 KPa), but can be increased by turning in the adjusting stem on the top of the regulating valve. **The regular SF100 or SF100L can but increased to 55 psi and the SF100-HP or SF100-HP-L can be increased to 85 psi.**

Fill your system, and then slowly open the valve isolating the system from the SF100.

NOTE: Do not use the SF100 to fill large systems. The pump does not have a high flow rate; using it to fill large systems will cause unnecessary wear on the pump and may void the warranty.



INDUSTRIES LIMITED

Once the system is filled to the correct pressure, ensure that there is an adequate level of fluid (we recommend about 2/3 full) in the storage tank and record the fluid level. The SF100 will now feed solution automatically to maintain the desired system pressure. **The SF100 or SF100-HP has a 55 gallon (208 litre) tank and the SF100L or SF100-HP-L has a 100 gallon (383 litre) tank.**

The diverting valve, which is accessible through the hole on the left hand side of the cover, can be used to agitate or mix the solution in the tank. Turn the valve handle so that it is vertical - the pump will start automatically and re-circulate the solution back into the tank. When the solution is adequately mixed, turn the valve handle back to horizontal. The pump will re-charge the pressure tank and shut off automatically.

Maintenance Instructions

Periodically check the fluid level in the storage tank, and visually examine the SF100 to ensure that it is clean and that all joints are tight. There is a strainer on the bottom of the suction hose inside the tank that should be checked monthly.

Solution Feeder Limited Warranty

AXIOM Solution Feeder are warranted to be free of defects in material and workmanship under normal use, for a period of one (1) year from the date of manufacture, or one (1) year of use, with proof of purchase. This limited warranty will not exceed two (2) years, in any event.

The limited warranty will not apply to pumps that were improperly installed, misapplied, or incompatible with fluids or components not manufactured by AXIOM. Pump failure due to foreign debris is not covered under the terms of this limited warranty. AXIOM will not warrant any pump, which is damaged or modified outside the AXIOM factory.

Returns are to be shipped postage prepaid to AXIOM Industries. AXIOM shall not be liable for freight damage incurred during shipping, package returns carefully.

AXIOM's obligation under this warranty policy is limited to the repair or replacement of the pump/product. All returns will be tested per AXIOM factory criteria. Products found not defective (under the terms of this limited warranty) are subject to charges paid by the returnee for the testing and packaging of "tested good" non-warranty returns.

No credit or labor allowances will be given for pumps or products returned as defective. Warranty replacements will be shipped on a freight allowed basis. AXIOM reserves the right to choose the method of transportation.

This limited warranty is in lieu of all other warranties, expressed or implied, and no other person is authorized to give any other warranty or assume obligation or liability on AXIOM's behalf. AXIOM shall not be liable for any labor, damage or other expense, nor shall AXIOM be liable for any indirect, incidental or consequential damages of any kind incurred by the reason of the use of sale of any defective product or part. This limited warranty covers products distributed within Canada and the USA. Other world market areas should consult with the distributor for any deviation from this document



INDUSTRIES LIMITED

SF100 PRESSURE REDUCING VALVE (PRV)

Pressure reducing valve for automatic control of closed loop boiler make up fluid.

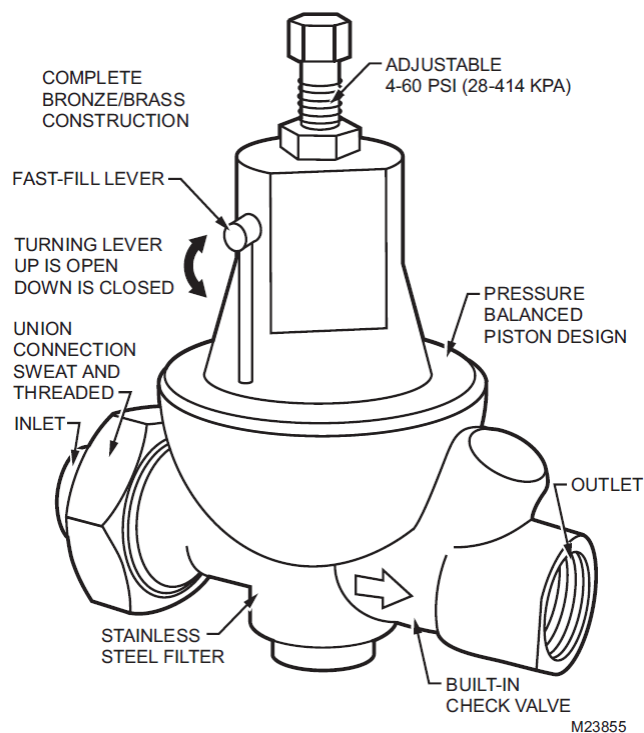
Specifications: Product Number:	FM451	Max. Temp continuous operation:	180°F
Size:	1/2" NPT Union	Min. Temp:	12°F
Body:	brass	Max. pressure:	150 PSI
Inlet Connection:	1/2" NPT	Adjustment range:	4-60 PSI
Dimension (L x H):	4 1/8" x 5 5/16"	Factory set at:	12 PSI
Weight (Lbs.):	1.8	Min. water temp:	40°F

Operation:

The SF100 PRV valve is factory set for 12 PSI. To change setting, loosen the jam nut then turn hex head adjusting screw clockwise to increase the set pressure or counterclockwise to lower the set pressure. When desired pressure is obtained, tighten jam nut while holding adjusting screw stationary. **CAUTION:** The fast fill lever must never be left in the horizontal position. The lever must be placed in the vertical position to avoid over-pressurization and unnecessary relief valve discharge.

Features:

- Good for 12 story building
- Adjustable 4-60 PSI
- Fast-fill
- Built-in check valve
- Stainless steel filter
- Pressure balanced piston design
- Threaded union connections
- Complete bronze



MTC-04-0302



INDUSTRIES LIMITED

SF100-HP PRESSURE REDUCING VALVE (PRV)

Pressure reducing valve for automatic control of closed loop boiler make up fluid.

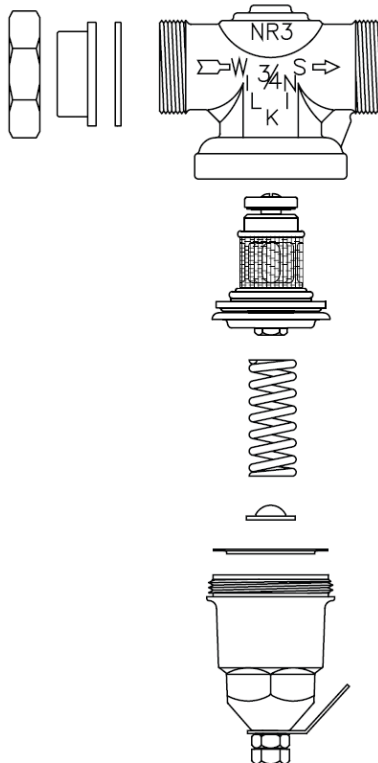
Specifications: Product Number: NR3HRSC
Size: 1/2" NPT Union
Body: brass
Inlet Connection: 1/2" FNPT
Dimension (L x H): 5 1/4" x 5 7/8"
Weight (Lbs.): 2.0

Operation:

The SF100-HP PRV valve is factory set for 50 PSI. To change setting, loosen the jam nut then turn hex head adjusting screw clockwise to increase the set pressure or counterclockwise to lower the set pressure. When desired pressure is obtained, tighten jam nut while holding adjusting screw stationary.

Features:

- Max. working water pressure 400psi
- Max. working water temperature 140°F
- Reduced pressure range 15 to 150 psi
- Factory preset 50psi





INDUSTRIES LIMITED

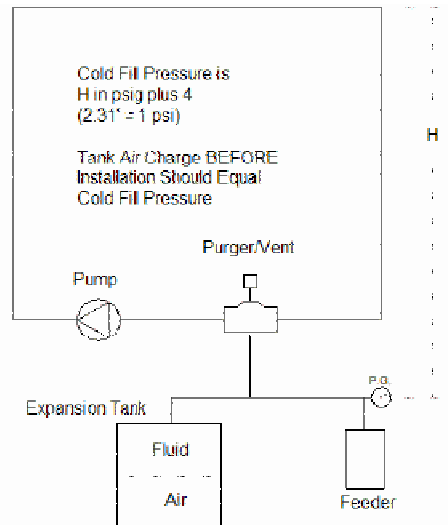
COLD STATIC FILL PRESSURE

The cold static fill pressure (CSFP) in a closed hydronic system has to be high enough to accomplish three things.

- 1) Overcome the static head (height) between the fill point and the highest point in the system.
- 2) Provide adequate pressure (minimum 4 psig) at the top of the system for proper air venting.
- 3) Maintain adequate pressure at the inlet of the system pumps to prevent cavitation.

The formula for calculating the required CSFP to satisfy points 1 & 2 is:

$$(\text{Static height in feet}/2.31) + 4 = \text{CSFP in psig.}$$



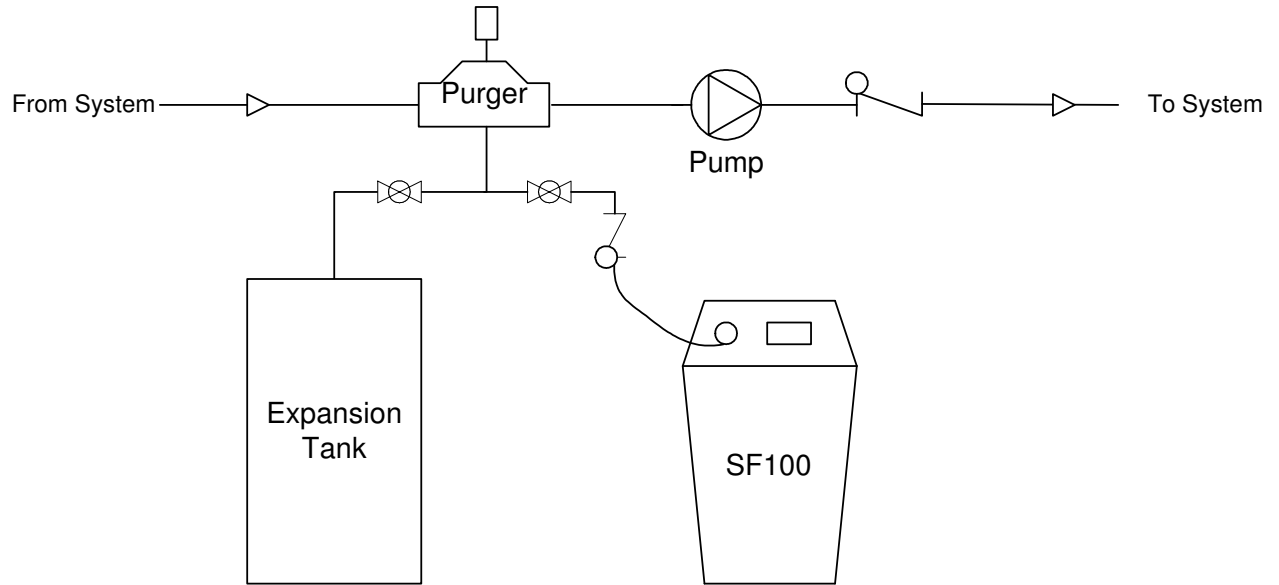
As an example, the CSFP for a system with a static height above the fill point of 40 feet would be: $(40/2.31) + 4 = 21.3$ psig.

For most closed hydronic systems operating below about 210 F, maintaining the minimum top-of-system pressure at 4 psig will be adequate to prevent pump cavitation even if the pumps are at or near the top of the system as well.

IMPORTANT NOTE – For air-charged diaphragm or bladder tanks, the air charge in the tank must be adjusted to equal the cold static fill pressure before it is connected to the system.



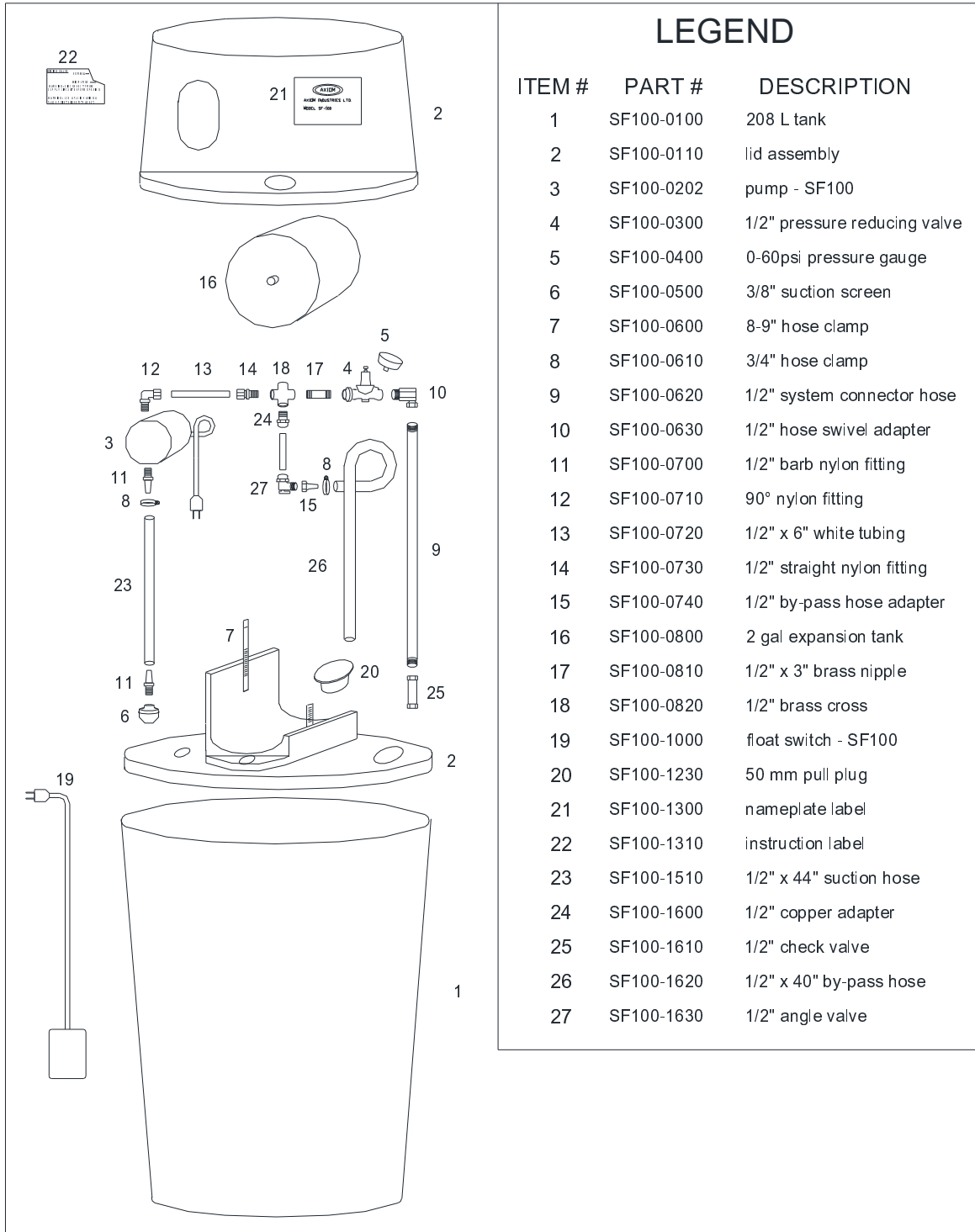
INDUSTRIES LIMITED



Connection Schematic - SF100 Packaged System Feeder



INDUSTRIES LIMITED



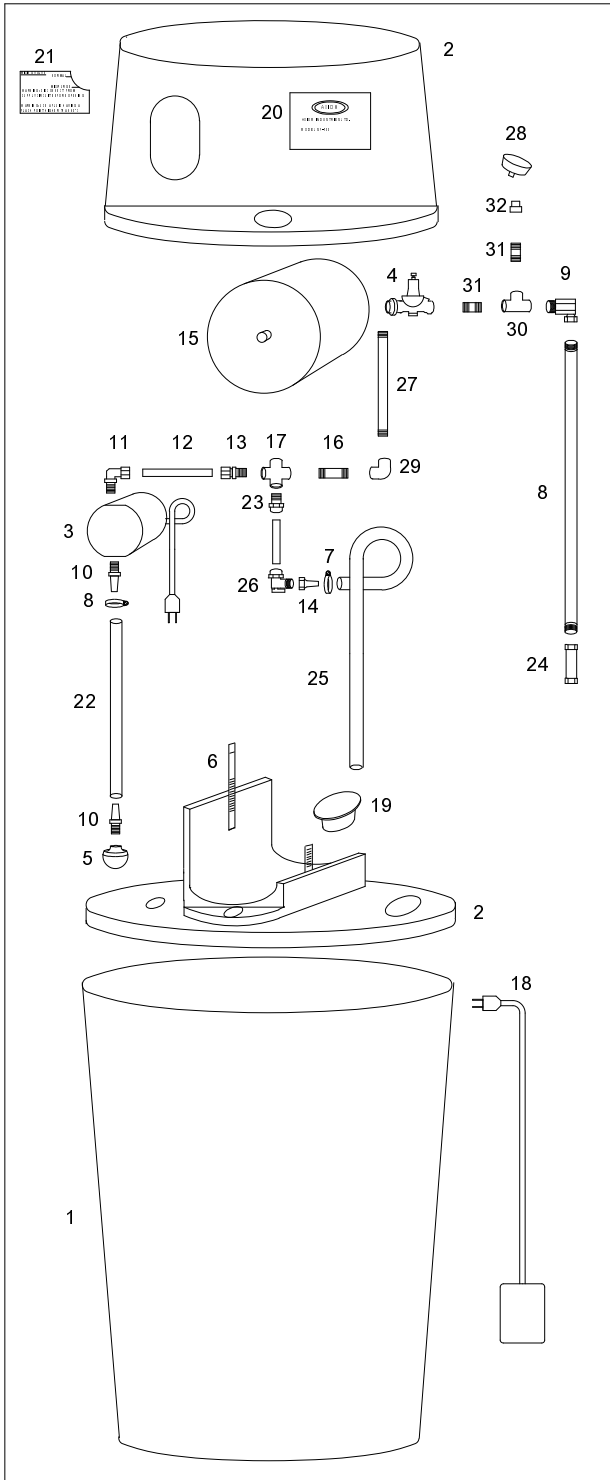
LEGEND

ITEM #	PART #	DESCRIPTION
1	SF100-0100	208 L tank
2	SF100-0110	lid assembly
3	SF100-0202	pump - SF100
4	SF100-0300	1/2" pressure reducing valve
5	SF100-0400	0-60psi pressure gauge
6	SF100-0500	3/8" suction screen
7	SF100-0600	8-9" hose clamp
8	SF100-0610	3/4" hose clamp
9	SF100-0620	1/2" system connector hose
10	SF100-0630	1/2" hose swivel adapter
11	SF100-0700	1/2" barb nylon fitting
12	SF100-0710	90° nylon fitting
13	SF100-0720	1/2" x 6" white tubing
14	SF100-0730	1/2" straight nylon fitting
15	SF100-0740	1/2" by-pass hose adapter
16	SF100-0800	2 gal expansion tank
17	SF100-0810	1/2" x 3" brass nipple
18	SF100-0820	1/2" brass cross
19	SF100-1000	float switch - SF100
20	SF100-1230	50 mm pull plug
21	SF100-1300	nameplate label
22	SF100-1310	instruction label
23	SF100-1510	1/2" x 44" suction hose
24	SF100-1600	1/2" copper adapter
25	SF100-1610	1/2" check valve
26	SF100-1620	1/2" x 40" by-pass hose
27	SF100-1630	1/2" angle valve

PROJECT		SF100 (EXPLODE)		AXIOM INDUSTRIES	
CUSTOMER					
DRWG. NO.	EQUIP. NO.	JOB NO.	DATE		
TLL-SF100-0212	PARTS LIST		JAN 2014		



INDUSTRIES LIMITED



LEGEND

ITEM #	PART #	DESCRIPTION
1	SF100-0100	208 L tank
2	SF100-0110	lid assembly
3	SF100-0201HP	pump - SF100-HP
4	SF100-0300HP	1/2" pres. reducing valve HP
5	SF100-0500	3/8" suction screen
6	SF100-0600	8-9" hose clamp
7	SF100-0610	3/4" hose clamp
8	SF100-0620	1/2" system connector hose
9	SF100-0630	1/2" hose swivel adapter
10	SF100-0700	1/2" barb nylon fitting
11	SF100-0710	90° adapter
12	SF100-0720	1/2" x 6" white tubing
13	SF100-0730	1/2" straight adapter
14	SF100-0740	1/2" by-pass hose adapter
15	SF100-0800	2 gal expansion tank
16	SF100-0810	1/2" x 3" brass nipple
17	SF100-0820	1/2" brass cross
18	SF100-1000	float switch - SF100
19	SF100-1230	50 mm pull plug
20	SF100-1300	nameplate label
21	SF100-1310	instruction label
22	SF100-1510	1/2" x 44" suction hose
23	SF100-1600	1/2" copper adapter
24	SF100-1610	1/2" check valve
25	SF100-1620	1/2" x 44" by-pass hose
26	SF100-1630	1/2" angle valve
27	SF100-2000	1/2" x 6" brass nipple
28	SF100-2110	0-100psi pressure gauge
29	SF100-2010	elbow - brass
30	SF100-2020	tee - brass
31	SF100-2030	close nipple - brass
32	SF100-2040	bushing - brass

PROJECT **SF100-HP (EXPLODE)**

AXIOM INDUSTRIES

DRWG. NO.

EQUIP. NO.
PARTS LIST

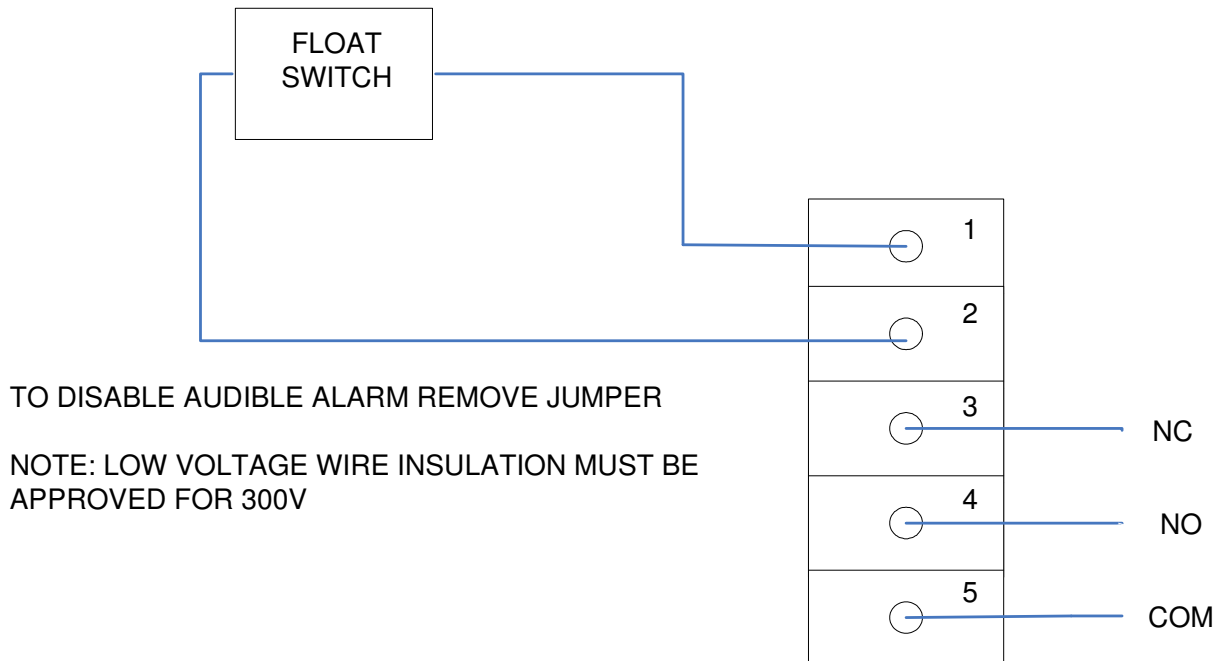
JOB NO.

DATE
20 JUNE 2013



SF100 Installation Instructions for the RIA10-1-SAA Control Panel

1. Mount the RIA10-1-SAA control panel on a wall next to the SF100 Glycol Feed System.
2. Cut the plug-in end of the tank float cord
3. Push the float cable through strain relief fitting in control panel and connect float wires to terminals 1 and 2 on terminal strip. Connect ground wire to ground connection. Tighten strain relief nut to secure cable into panel.
4. Connect DCS wiring to remote alarm dry contacts as requested to provide alarm signal.
5. To disable the audible alarm, remove the jumper on the control board.
6. Plug pump cord into RIA10-1-SAA panel.



SF100 trouble shooting chart

<u>Symptom</u>	<u>Possible Cause</u>	<u>Resolution</u>
Pump will not start	Fluid level in tank is low	Add correct fluid. Check for cause of system fluid loss
	Thermal fuse tripped	Allow pump sufficient time to cool down. Pumps are designed for intermittent duty
	Power unplugged or loose electrical connections	Plug in power or correct faulty electrical connection
	Pressure switch out of adjustment	Adjust pressure switch according to the manufacturers recommendations
	Faulty pressure switch on pump	Obtain pump from reseller and replace
	Pump failure	Obtain pump from reseller and replace
Pump will not shut off	Air lock in pump	Turn purge/mixing valve to prime pump
	Leak in system or pump	Inspect system and repair leak
	Faulty pressure switch on pump	Obtain pump from reseller and replace
Pump will not prime	Fluid level in tank is low	Add correct fluid. Check for cause of system fluid loss
	Strainer on inlet hose is blocked	Clean strainer
	Product in tank is too thick or Congealed glycol	Clean strainer and check concentration of glycol mixture
	Inlet tubing leak is drawing air	Replace tubing and repair leak
	Inlet/Outlet tube severely restricted (Kinked)	Replace tubing
Noisy / Rough operation	Pump is overloaded and pump pressure switch not cutting out or cutting out at very high pressure	Obtain Replacement pump from reseller and install
	Pump pressure switch cutting out at very high pressure	Adjust pressure switch to lower pressure.
	Loose pump head or drive screws	Tighten screws
	Feeder is plumbed with rigid pipe causing noise to transmit	Plumb with PEX or plastic pipe
Feeder Leaking	Loose fittings	Tighten fittings
	Pump has punctured diaphragm	Obtain Replacement pump from reseller and install
System pressure low	Fluid level in tank is low	Add correct fluid. Check for cause of system fluid loss
	Breaker	Flip breaker
	Pressure switch out of adjustment	Adjust pressure switch according to the manufacturers recommendations
	PRV adjusted to low pressure	Loosen jam nut and adjust hex screw clockwise to increase pressure
	PRV plugged	Open bottom, remove screen if it is still there and clean thoroughly
	Faulty pressure switch	Obtain Replacement pump from reseller and install
	Power unplugged or loose electrical connections	Plug in or correct faulty electrical connection
	Pump failure	Obtain pump from reseller and install

System pressure to high

Pressure switch not adjusted to proper setpoint	Adjust pressure switch, refer to maintenance manual for instructions
PRV adjusted to high pressure	Loosen jam nut and adjust hex screw counter clockwise to decrease system pressure
PRV fast fill valve open	Move fast fill lever to vertical position
PRV plugged	Open bottom, remove screen if it is still there and clean thoroughly

Pump Cycles Continually

Air is being removed from system and pump is only making up fluid	No action required
Leak in system	Inspect system and repair leak
Bladder in expansion tank is broken	Replace expansion tank

SF100, SF100-HP, SF100-L ET SF100-HP-L
Alimenteurs de systèmes de chauffage hydronique à circuit fermé

INSTALLATION, FONCTIONNEMENT ET ENTRETIEN

Installation

AVERTISSEMENT : RISQUE DE CHOC ÉLECTRIQUE. Cette pompe est pourvue d'un connecteur de prise de terre et d'une fiche avec mise à la terre. Pour réduire le risque de choc électrique, s'assurer qu'elle soit reliée à un réceptacle correctement mis à la terre. Couper l'alimentation électrique avant toute intervention afin d'éviter un choc électrique. En cas de défaillance de la pompe, le boîtier moteur et/ou le liquide pompé pourraient transmettre une haute tension sur des éléments normalement considérés comme inoffensifs.

Placer l'ensemble sur une surface solide et de niveau. Raccorder le tube souple fourni avec l'appareil au point de raccordement du système. Installer un robinet d'isolement avec raccord union pour faciliter l'entretien à l'avenir. **Noter que le clapet antiretour fourni avec l'appareil doit se trouver du côté système du tube souple.**

REMARQUE - Les soupapes de décharge et robinets de vidange peuvent être raccordés au réservoir du SF100, mais tous les orifices d'entrée pour ces tuyaux doivent être percés sur le côté du réservoir, près du haut, plutôt que sur le couvercle ; cela permettra, si nécessaire, de le retirer facilement.

Remplir le réservoir SF100 avec la solution appropriée. Cet appareil convient pour les solutions d'eau ou d'eau glycolée jusqu'à 50 %.

Fonctionnement

S'assurer que le robinet d'arrêt (non fourni) soit fermé jusqu'à ce que le SF100 ait été mis à l'essai et que la vérification de l'étanchéité soit effectuée.

Brancher le SF100 à une boîte électrique approuvée. La pompe démarre, pressurise le réservoir et s'arrête automatiquement. Vérifier que tous les joints soient bien serrés et qu'il n'y ait pas de fuites.

REMARQUE - Il sera peut-être nécessaire de purger l'air de la tuyauterie avant que la pompe aspire le liquide du réservoir. Cela peut se faire avec le robinet de dérivation, qui est accessible par l'ouverture sur le côté gauche du couvercle. Tourner la manette

du robinet à la verticale pour purger l'air – le remettre à l'horizontale pour le fonctionnement normal.

Vérifier que la pression de sortie mesurée sur le manomètre répond aux besoins du système. La pression réglée à l'usine est de 12 lb/po² (83 kPa), mais on peut l'augmenter en tournant la tige de réglage sur le dessus du robinet de réglage **jusqu'à 55 lb/po² pour les SF100 ou SF100L et jusqu'à 85 lb/po² pour les SF100-HP or SF100-HP-L.**

Remplir le système, puis ouvrir lentement le robinet d'isolement du système au SF100.

REMARQUE – Ne pas utiliser le SF100 pour remplir le système. Remplir un gros système avec cette pompe à petit débit peut en causer une usure prématurée inutile et annuler la garantie.

Une fois le système rempli à la pression adéquate, s'assurer que le niveau de liquide dans le réservoir est adéquat (on recommande les 2/3) et noter le niveau de liquide. Le SF100 alimentera automatiquement le système en solution et maintiendra la pression voulue dans le système. **Les SF100 et SF100-HP ont un réservoir de 55 gal (208 L) et les SF100L et SF100-HP-L ont un réservoir de 100 gal (383 L).**

Le robinet de dérivation, accessible par l'ouverture sur le côté gauche du couvercle, peut être utilisé pour agiter ou mélanger la solution dans le réservoir. Tourner le levier du robinet à la verticale et la pompe démarrera automatiquement pour faire recirculer la solution dans le réservoir. Lorsque la solution est bien mélangée, replacer le levier du robinet à l'horizontale. La pompe rechargera à nouveau le réservoir sous pression et s'arrêtera automatiquement.

Entretien

Vérifier périodiquement le niveau de fluide dans le réservoir. Faire un examen visuel du SF100 pour s'assurer qu'il est propre et que tous les joints sont serrés. Vérifier le tamis au bas du tube d'aspiration à tous les mois.

Garantie limitée

L'alimenteur de fluide d'AXIOM est garanti exempt de défauts de matériaux et de fabrication en utilisation normale pour une période de un (1) an à compter de la date de fabrication, ou de une (1) année d'utilisation, surprésentation d'une preuve d'achat. Cette garantie limitée ne peut dépasser deux (2) ans dans tous les cas.

La garantie limitée ne s'applique pas aux pompes qui ont été mal installées, mal utilisées ou incompatibles avec des fluides ou des composants non fabriqués par AXIOM. Une défaillance de la pompe due à des corps étrangers n'est pas couverte par cette garantie limitée. AXIOM ne garantit aucune pompe, si elle a été endommagée ou modifiée hors de l'usine d'AXIOM.

Les retours doivent être expédiés par courrier prépayé à AXIOM Industries. AXIOM ne sera pas responsable des dommages causés lors du transport ; emballer les produits retournés en conséquence.

L'obligation d'AXIOM, en vertu de cette garantie, se limite à la réparation ou au remplacement de la pompe/du produit. Tous les retours seront testés selon les critères d'usine d'AXIOM. Les produits jugés non défectueux (selon les termes de cette garantie limitée) sont sujets à une redevance facturée à l'expéditeur/usager pour l'essai et l'emballage d'un « produit testé » retourné hors garantie.

Aucun crédit ou indemnité de main d'œuvre ne sera accordé pour les pompes ou les produits renvoyés comme défectueux. Les remplacements sous garantie seront expédiés selon une base d'allocation de fret. AXIOM se réserve le droit de choisir le moyen de transport.

Cette garantie limitée tient lieu de toute autre garantie, expresse ou implicite, et personne n'est autorisé à donner toute autre garantie ou à assumer une obligation ou une responsabilité au nom d'AXIOM. AXIOM ne peut être tenue responsable de tout travail, dommage ou autre frais et AXIOM ne sera pas responsable des dommages indirects, accessoires ou consécutifs de quelque nature que ce soit résultant de l'utilisation ou de la vente d'un produit ou d'une pièce défectueux. Cette garantie limitée couvre les produits distribués au Canada et aux États-Unis. D'autres régions du marché mondial doivent consulter le distributeur pour tout écart par rapport à ce document.

Soupape de réduction de pression SF100 (PRV)

Soupape de réduction de pression pour le contrôle automatique d'alimentation en fluide d'un circuit fermé de chaudière.

Spécifications : produit # FM451

Taille : union ½ po NPT

Corps : laiton

Raccord d'entrée : ½ po NPT

Dimensions (L x H) : 4 1/8 x 5 5/16 po

Poids (lb) : 1.8

Température maxi en service continu : 180 °F

Température mini : 12 °F

Température d'eau mini : 40 °F

Pression maxi : 150 lb/po²

Plage de réglage : 4-60 lb/po²

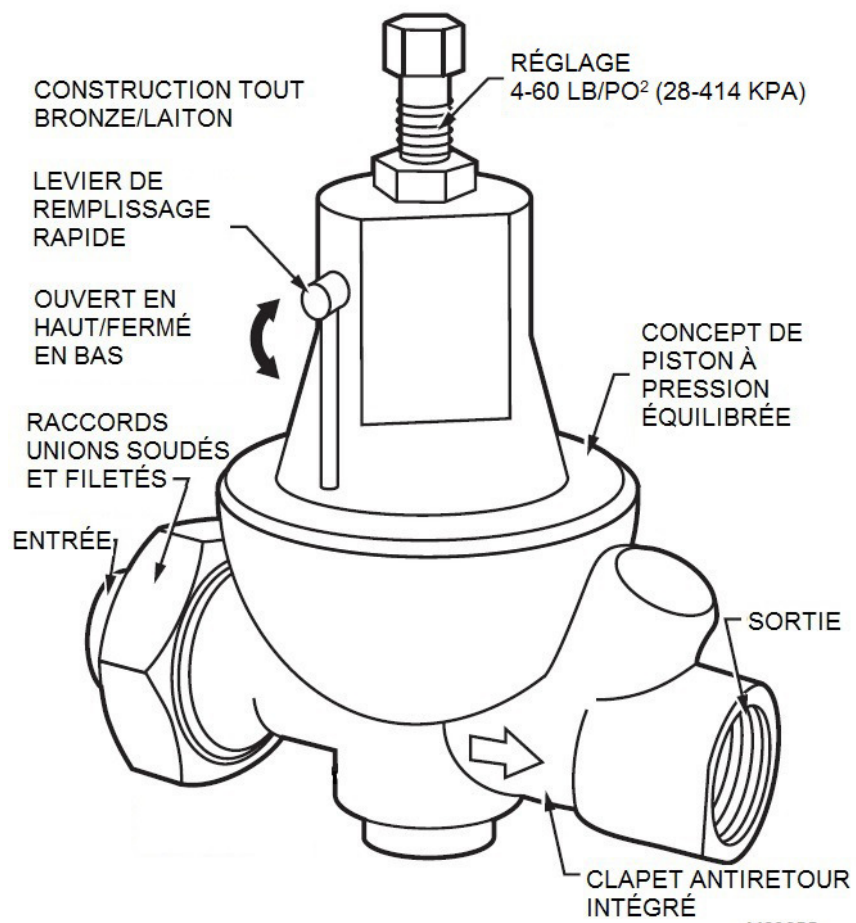
Réglage d'usine : 12 lb/po²

Fonctionnement

La soupape SF100 PRV est réglée en usine à 12 lb/po². Pour modifier ce réglage, desserrer l'écrou de blocage, puis tourner la tête hexagonale dans le sens horaire pour augmenter la pression ou dans le sens antihoraire pour abaisser la pression. Lorsque la pression voulue est obtenue, serrer l'écrou de blocage tout en maintenant la vis de réglage en position. ATTENTION : le levier de remplissage rapide ne doit jamais être maintenu en position horizontale. Ce levier doit être placé en position verticale pour éviter une surpression et une décharge inutile.

Caractéristiques :

- Pour bâtiments jusqu'à 12 étages
- Plage de réglage 4-60 lb/po²
- Remplissage rapide
- Clapet antiretour intégré
- Filtre en acier inoxydable
- Concept de piston à pression équilibrée
- Raccordements par unions filetées
- Tout bronze



Soupape de réduction de pression SF100-HP (PRV)

Soupape de réduction de pression pour le contrôle automatique d'alimentation en fluide d'un circuit fermé de chaudière.

Caractéristiques :

produit # NR3HRSC

Taille : union 1/2 po NPT

Corps : laiton

Raccord d'entrée : 1/2 po FNPT

Dimensions (L x H) : 5 1/4 x 5 7/8 po

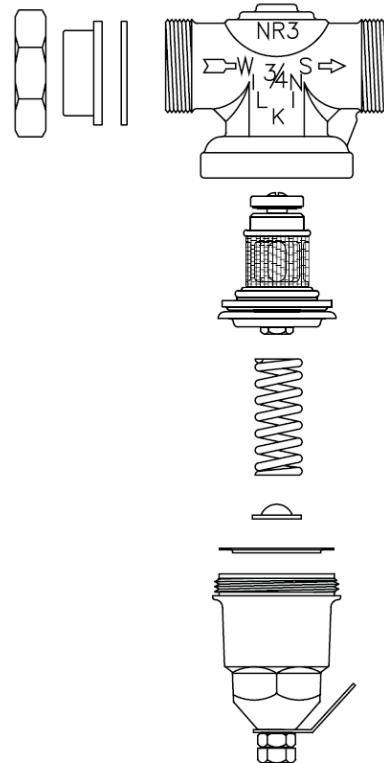
Poids (lb) : 2.0

Fonctionnement

La soupape SF100 PRV est réglée en usine à 50 lb/po². Pour modifier ce réglage, desserrer l'écrou de blocage, puis tourner la tête hexagonale dans le sens horaire pour augmenter la pression ou dans le sens antihoraire pour abaisser la pression. Lorsque la pression voulue est obtenue, serrer l'écrou de blocage tout en maintenant la vis de réglage en position.

Caractéristiques

- Pression de service maxi : 400 lb/po²
- Température d'eau de service maxi : 140 °F
- Plage de pression réduite : 15-150 lb/po²
- Réglage d'usine : 50 lb/po²



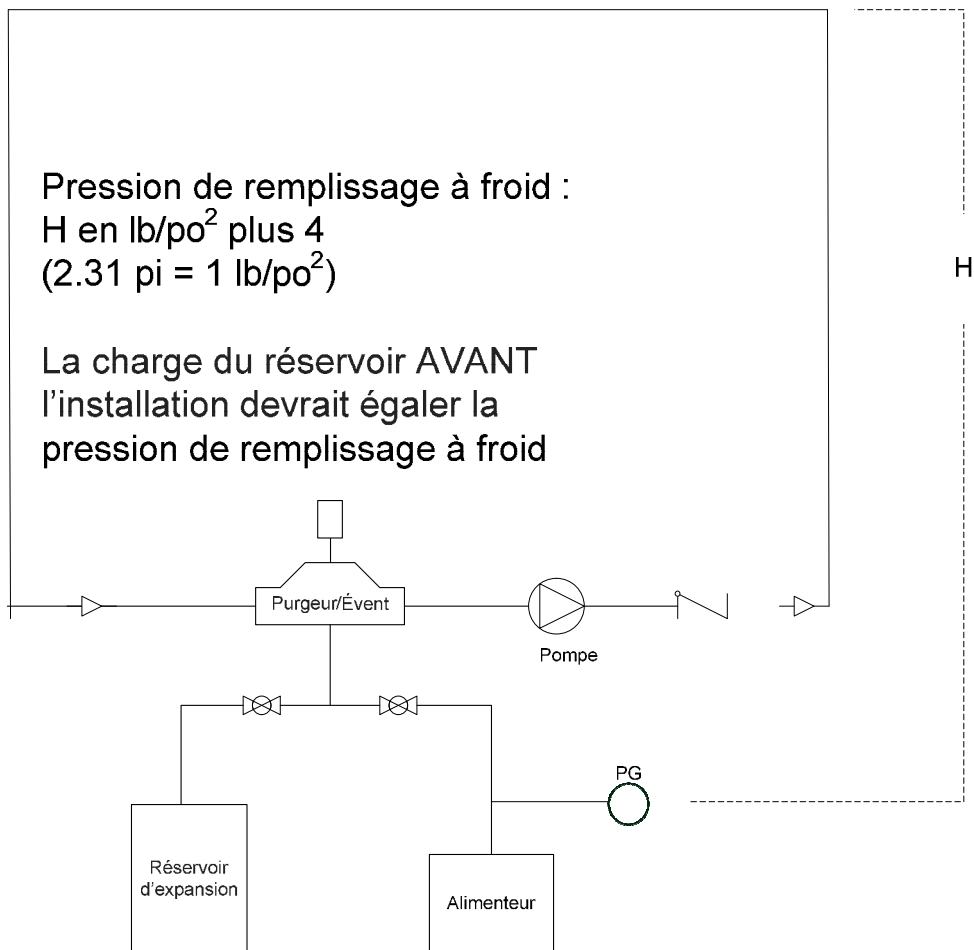
PRESSION STATIQUE DE REMPLISSAGE À FROID

La pression statique de remplissage à froid (PSRF) dans un système hydronique en circuit fermé doit être suffisamment élevée pour accomplir trois choses :

- 1) Surmonter la charge statique (la hauteur) entre le point de remplissage et le point le plus élevé du système.
- 2) Fournir une pression suffisante (minimum 4 lb/po²) au point le plus haut du système pour une bonne évacuation de l'air.
- 3) Maintenir une pression suffisante à l'entrée des pompes du système pour empêcher la cavitation.

La formule de calcul de la pression requise pour satisfaire aux points 1 et 2 est la suivante :

$$\text{(Hauteur statique en pi / 2,31) + 4 = PSRF en lb/po}^2$$



À titre d'exemple, la PSRF pour un système ayant une hauteur statique de 40 pieds au-dessus du point de remplissage serait : $(40 / 2,31) + 4 = 21.3 \text{ lb/po}^2$.

Pour la plupart des systèmes hydroniques fermés fonctionnant à une température inférieure à environ 210 °F, le maintien de la pression minimale du système à 4 lb/po² sera adéquat pour éviter la cavitation de la pompe, même si les pompes sont près de ou au point le plus haut du système.

REMARQUE IMPORTANTE - Un réservoir d'expansion à diaphragme ou à vessie chargé à l'air doit avoir une charge d'air égale à la pression statique de remplissage à froid avant qu'il ne soit raccordé au système.

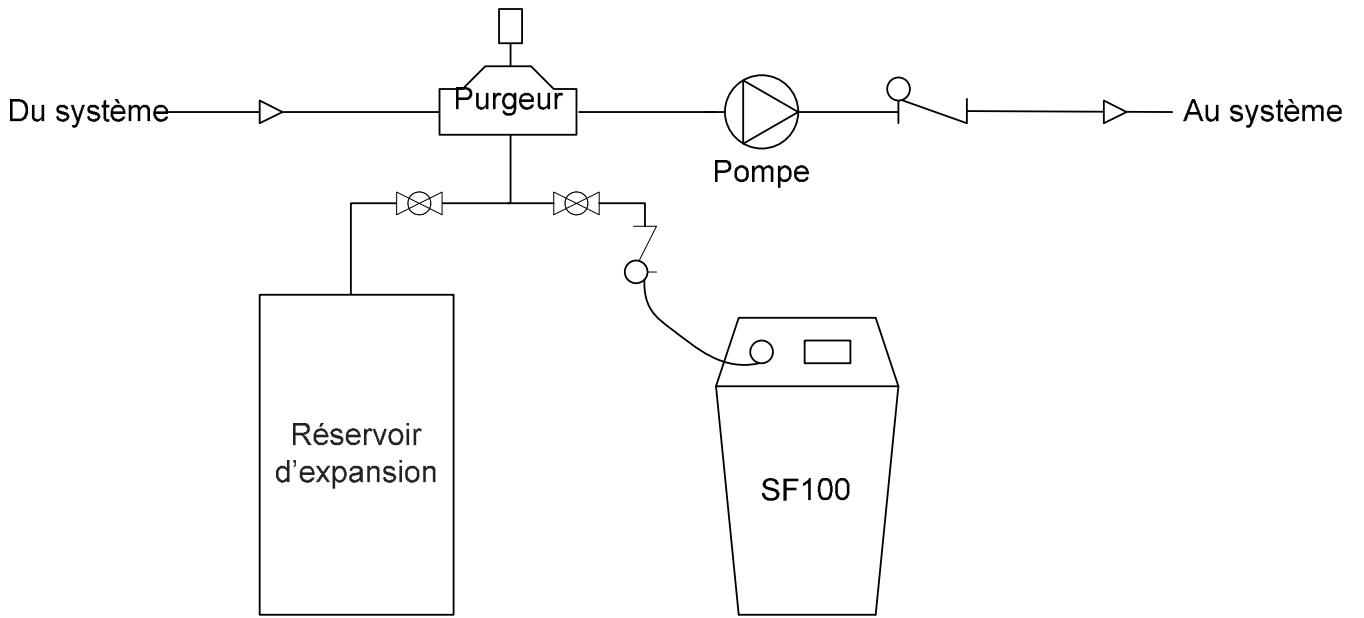
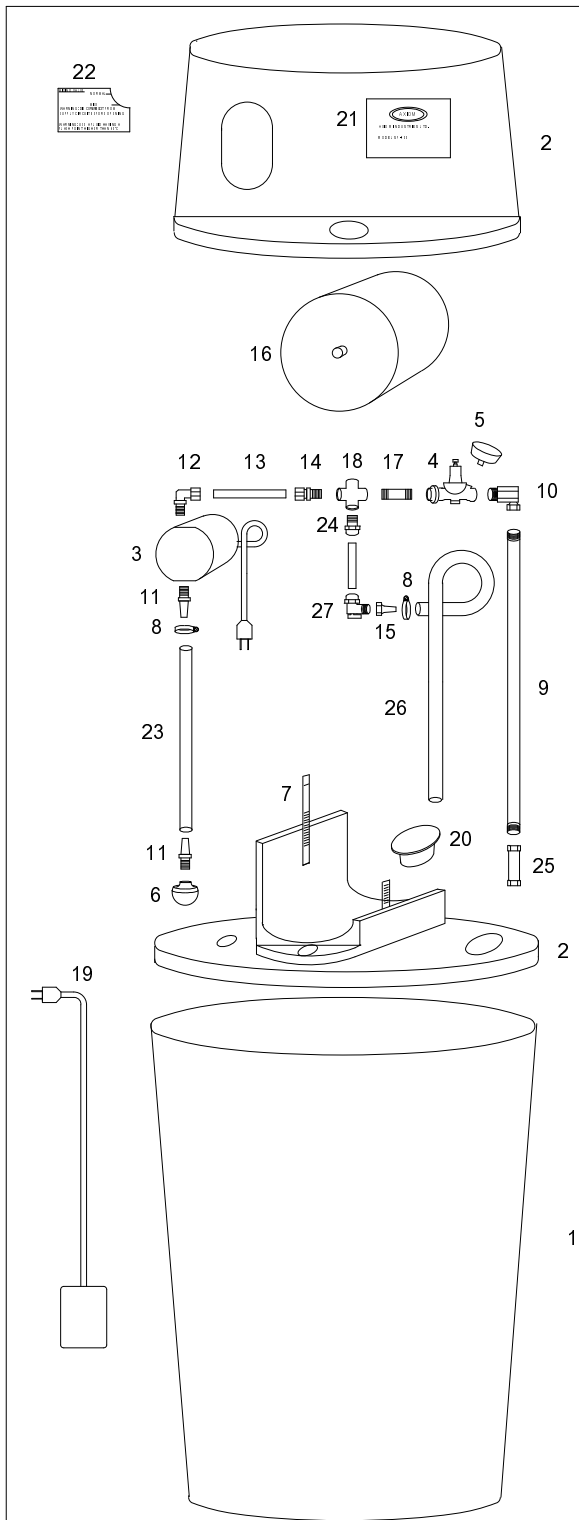


Schéma de raccordement – Alimenteur de système hydronique SF100



LÈGENDE

ARTICLE #	PIÈCE#	DESCRIPTION
1	SF100-0100	Réservoir 208 L
2	SF100-0110	Ensemble couvercle
3	SF100-0202A	Pompe - SF100
4	SF100-0300	Soupage réduction pression 1/2"
5	SF100-0400	Manomètre 0-60 psi
6	SF100-0500	Tamis aspiration 3/8"
7	SF100-0600	Collier de serrage 8-9"
8	SF100-0610	Collier de serrage 3/4"
9	SF100-0620	Boyau raccordement système 1/2"
10	SF100-0630	Adaptateur boyau pivotant 1/2"
11	SF100-0700	Raccord nylon cannelé 1/2"
12	SF100-0710	Raccord nylon 90°
13	SF100-0720	Tube blanc 1/2" x 6"
14	SF100-0730	Raccord droit nylon 1/2"
15	SF100-0740	Adaptateur tube dérivation 1/2"
16	SF100-0800	Réservoir d'expansion 2 gal
17	SF100-0810	Mamelon laiton 1/2" x 3"
18	SF100-0820	Croix laiton 1/2"
19	SF100-1000	Interrupteur à flotteur - SF100
20	SF100-1230	Bouchon 50 mm
21	SF100-1300	Plaque signalétique
22	SF100-1310	Étiquette directives
23	SF100-1510	Tube d'aspiration 1/2" x 44"
24	SF100-1600	Adaptateur de cuivre 1/2"
25	SF100-1610	Clapet antiretour 1/2"
26	SF100-1620	Tube de dérivation 1/2" x 40"
27	SF100-1630	Robinet d'équerre 1/2"

PROJECT **SF100 (EXPLODE)**

CUSTOMER

DRWG. NO.

1

EQUIP. NO.

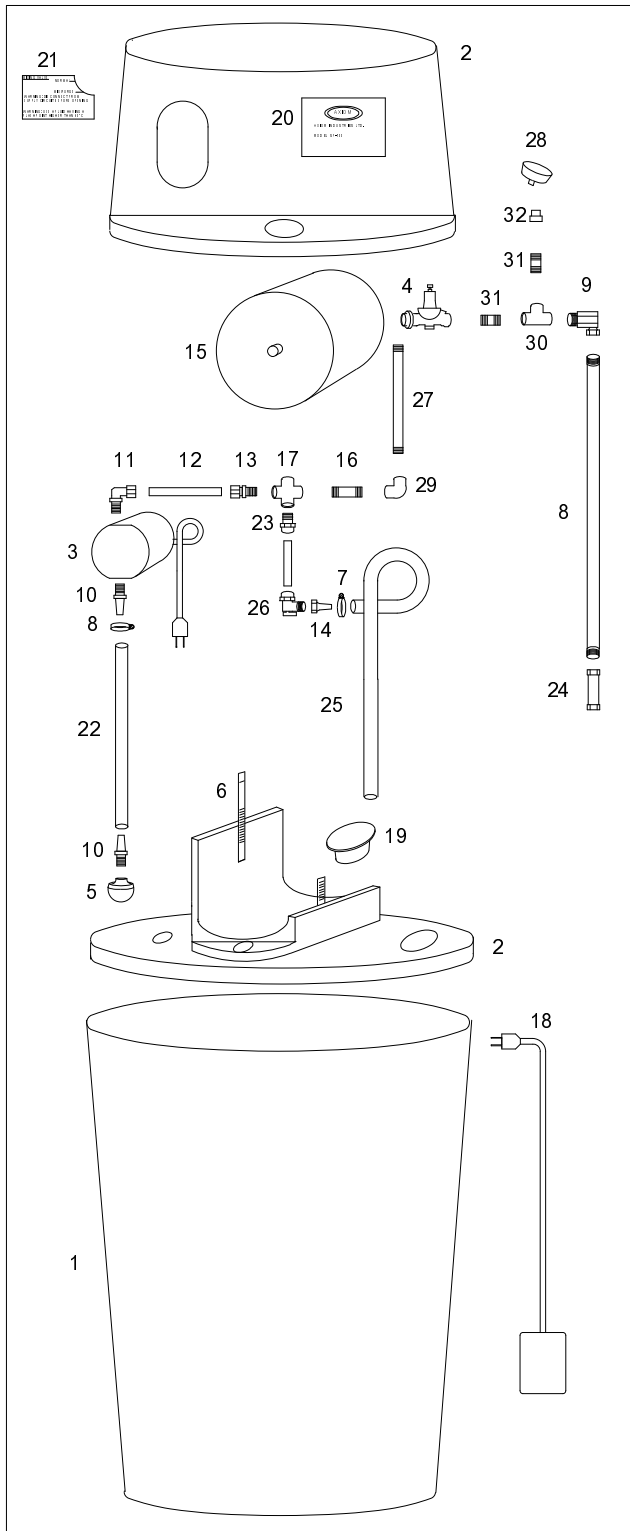
PARTS LIST

JOB NO.

DATE

06 SEPT 2017

AXIOM INDUSTRIES



LEGEND

ITEM #	PART #	DESCRIPTION
1	SF100-0100	Réservoir 208 L
2	SF100-0110	Ensemble couvercle
3	SF100-0201HP	Pompe - SF100-HP
4	SF100-0300HP	Soupape réduction pression HP 1/2"
5	SF100-0500	Tamis aspiration 3/8
6	SF100-0600	Collier de serrage 8-9"
7	SF100-0610	Collier de serrage 3/4"
8	SF100-0620	Boyau raccordement système 1/2"
9	SF100-0630	Adaptateur boyau pivotant 1/2"
10	SF100-0700	Raccord nylon cannelé 1/2"
11	SF100-0710	Adaptateur 90°
12	SF100-0720	Tube blanc 1/2" x 6"
13	SF100-0730	Adaptateur droit 1/2"
14	SF100-0740	Adaptateur tube dérivation 1/2"
15	SF100-0800	Réservoir d'expansion 2 gal
16	SF100-0810	Mamelon laiton 1/2" x 3"
17	SF100-0820	Croix laiton 1/2"
18	SF100-1000	Interrupteur à flotteur - SF100
19	SF100-1230	Bouchon 50 mm
20	SF100-1300	Plaque signalétique
21	SF100-1310	Étiquette directives
22	SF100-1510	Tube d'aspiration 1/2" x 44"
23	SF100-1600	Adaptateur de cuivre 1/2"
24	SF100-1610	Clapet antiretour 1/2"
25	SF100-1620	Tube de dérivation 1/2" x 44"
26	SF100-1630	Robinet d'équerre 1/2"
27	SF100-2000	Mamelon laiton 1/2" x 6"
28	SF100-2110	Manomètre 0-100 psi
29	SF100-2010	Coude laiton
30	SF100-2020	Té en laiton
31	SF100-2030	Mamelon simple en laiton
32	SF100-2040	Réduction mâle-femelle laiton

PROJECT
SF100-HP (EXPLODE)

AXIOM INDUSTRIES

DRWG. NO.

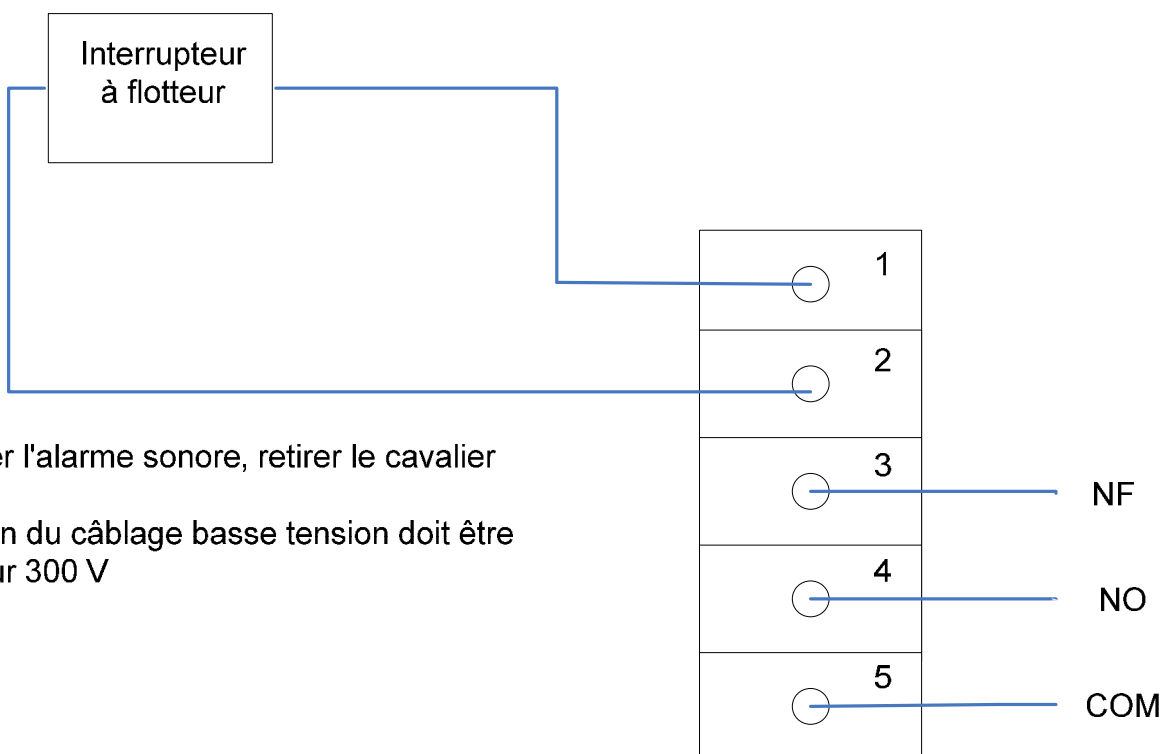
EQUIP. NO.
PARTS LIST

JOB NO.

DATE
06 SEPT 2017

Connexion du SF100 au panneau de commande RIA10-1-SAA

1. Monter le panneau de commande RIA10-1-SAA sur un mur près de l'alimenteur SF100.
2. Couper l'extrémité enfichable du câble du flotteur du réservoir.
3. Pousser le câble du flotteur dans le passe-fil du panneau de commande et connecter les fils aux bornes 1 et 2 du bornier. Connecter le fil de mise à la terre à la connexion de terre. Serrer l'écrou du serre-fil pour fixer le câble dans le panneau.



Pour désactiver l'alarme sonore, retirer le cavalier

Note : l'isolation du câblage basse tension doit être approuvée pour 300 V

4. Connecter le câblage DCS (domotique) aux contacts secs d'alarme à distance tel qu'indiqué pour fournir un signal d'alarme.
5. Pour désactiver l'alarme sonore, retirer le cavalier sur la carte de contrôle.
6. Brancher le cordon de la pompe dans le panneau RIA10-1-SAA.

Dépannage

Problèmes

La pompe ne démarre pas

Le niveau de fluide dans le réservoir est bas	Ajouter du fluide. Vérifier la cause de la perte de fluide dans le système
Fusible thermique déclenché	Laisser à la pompe suffisamment de temps pour refroidir. Les pompes sont conçues pour un service intermittent
Débranchement électrique ou connexions lâches	Brancher l'alimentation électrique ou corriger la connexion électrique défectueuse
Pressostat hors réglage	Régler le pressostat selon les directives du fabricant
Pressostat défectueux sur la pompe	Obtenir une pompe du revendeur et l'installer
Défaillance de la pompe	Obtenir une pompe du revendeur et l'installer

La pompe ne s'arrête pas

Poche d'air dans la pompe	Remettre le robinet de purge/mélange en position d'amorçage
Fuite dans le système ou la pompe	Inspecter le système et réparer la fuite
Pressostat défectueux sur la pompe	Obtenir une pompe du revendeur et l'installer

La pompe ne s'amorce pas

Le niveau de fluide dans le réservoir est bas	Ajouter du fluide. Vérifier la cause de la perte de fluide dans le système
Le tamis sur le tube d'entrée est bloqué	Nettoyer le tamis
La solution dans le réservoir est trop épaisse ou le glycol est figé	Nettoyer le tamis et vérifier la concentration du mélange de glycol
Le tube d'entrée aspire de l'air	Remplacer le tube et réparer la fuite
Le tube d'entrée/de sortie est sévèrement restreint (plié)	Remplacer le tube

Fonctionnement bruyant / irrégulier

La pompe est surchargée et le pressostat ne coupe pas ou coupe à très haute pression.	Obtenir une pompe du revendeur et l'installer
Pressostat de la pompe coupe à très haute pression	Régler le pressostat pour réduire la pression
Tête de pompe ou vis d'entraînement lâches	Serrer les vis
L'alimenteur est raccordé avec un tuyau rigide qui transmet du bruit	Raccorder avec un tube PEX ou en plastique

L'alimenteur fuit

Raccords lâches	Serrer les raccords
Le diaphragme de la pompe est perforé	Obtenir une pompe du revendeur et l'installer

Pression du système trop basse

Le niveau de fluide dans le réservoir est faible	Ajouter du fluide. Vérifier la cause de la perte
--	--

	de fluide dans le système
Disjoncteur ouvert	Enclencher le disjoncteur
Pressostat hors réglage	Régler le pressostat selon les directives du fabricant
Soupape de réduction de pression réglée à basse pression	Desserrer l'écrou de blocage et tourner la vis hexagonale dans le sens horaire pour augmenter la pression
Soupape de réduction de pression bouchée	Ouvrir le fond, retirer le tamis s'il est toujours là et bien nettoyer
Pressostat défectueux	Obtenir une pompe du revendeur et l'installer
Débranchement électrique ou connexions lâches	Brancher l'alimentation électrique ou corriger la connexion électrique défectueuse
Défaillance de la pompe	Obtenir une pompe du revendeur et la remplacer

Pression du système trop haute

Pressostat au mauvais réglage	Régler le pressostat selon les directives du manuel d'entretien
Soupape de réduction de pression réglée à haute pression	Desserrer l'écrou de blocage et tourner la vis hexagonale dans le sens antihoraire pour réduire la pression
Le robinet de remplissage rapide de la soupape de réduction de pression est ouvert	Replacer le levier en position verticale
Soupape de réduction de pression bouchée	Ouvrir le fond, retirer le tamis s'il est toujours là et bien nettoyer

Cyclage continu de la pompe

L'air est retiré du système et la pompe ne fait que refouler du fluide	Aucune action requise
Fuite dans le système	Inspecter le système et réparer la fuite
La vessie du réservoir d'expansion est brisée	Remplacer le réservoir d'expansion

Axiom Industries Ltd.

3603 Burron Avenue
Saskatoon, SK S7P 0E4
Tél.: (306) 651-1815
Fax: (306) 651-2293
sales@axiomind.com