



**NT25-P CONDENSATE NEUTRALIZATION TANK WITH PUMP**

**INSTALLATION, OPERATION AND MAINTENANCE INSTRUCTIONS**

**Installation Instructions**

**NOTE - Check with your local water authority for regulations regarding discharge of treated condensate to the drain or sewer system.**

**WARNING**

- **“Risk of damage to appliance”. The neutralization tank inlet must be at a lower elevation than the condensate drain from appliance.**
- **Do not allow exhaust flue gases to vent through the neutralization kit. All condensate drains must have a trap to prevent flue gas leakage. Flue gas leakage can cause injury or death from carbon monoxide.**
- **Connection to the appliance and neutralization kit must be installed to ensure that no condensate backflow into the appliance can occur.**

Set the neutralization tank with pump on a secure and level base. Connect appliance condensate drain to the inlet using corrosion resistant piping. Do not route the condensate line through any area that is exposed to freezing temperatures. If traffic poses a risk, install some protection to prevent movement and/or damage. Ensure that no air pockets will remain or form in the piping and that the condensate will flow freely from the appliance condensate drain into the tank. Install the provided check valve at the outlet of the pump to prevent backflow into the tank.

If the NeutraPump will be connected to an alarm system connect alarm circuit to high level float switch wire leads located in the project box on top of the NT25-P. The high level float switch is SPDT and can provide either an open or closed circuit on high level. See figure 1 below.

**High Level Float Switch  
Electrical Ratings**

|                       |        |
|-----------------------|--------|
| Max Contact Rating    | 20W    |
| Max Switch Voltage    | DC200V |
| Min Breakdown Voltage | DC250V |
| Max Switch Current    | 0.5A   |
| Max Carry Current     | 1.5A   |

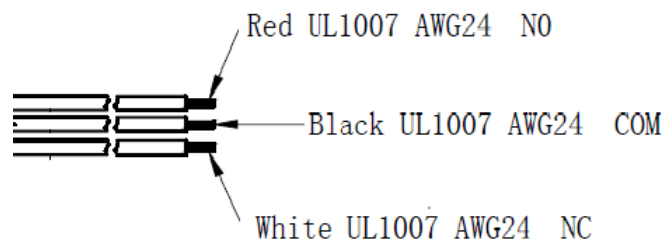


Figure 1: Electrical ratings and wire diagram for high level float on the NT25-P

## Installation Instructions for the RIA10-1-SAA Control Panel for use with NT25-P Condensate Neutralizer with Pump

The NT25-P high level alarm switch can provide an OPEN or CLOSED contact on HIGH LEVEL. This is compatible with the alarm circuit in the RIA10-1-SAA panel. Connect terminals 1 and 2 from terminal block TB2 in the panel to the white and black wires located inside the small project box on the NT25-P.

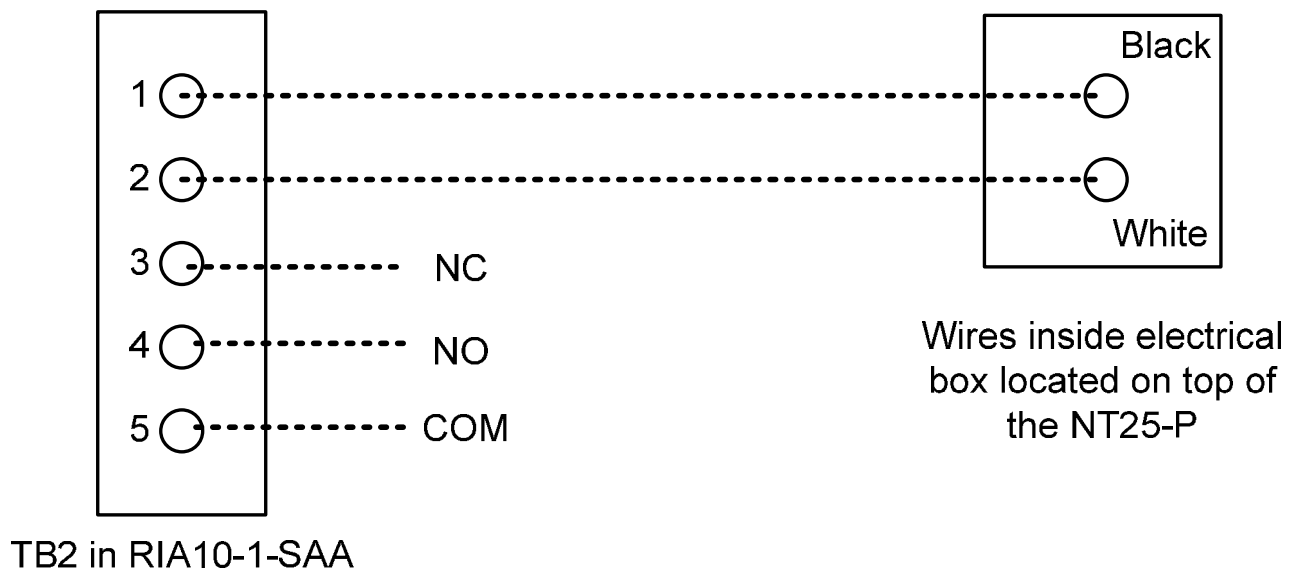


Figure 2: Wiring diagram showing how to connect the high level float on the NT25-P to the RIA10-1-SAA alarm panel.

To disable the audible alarm in the RIA10-1-SAA panel, remove the jumper from the control board of the RIA10-1-SAA.



***INDUSTRIES LIMITED***

### **Operation**

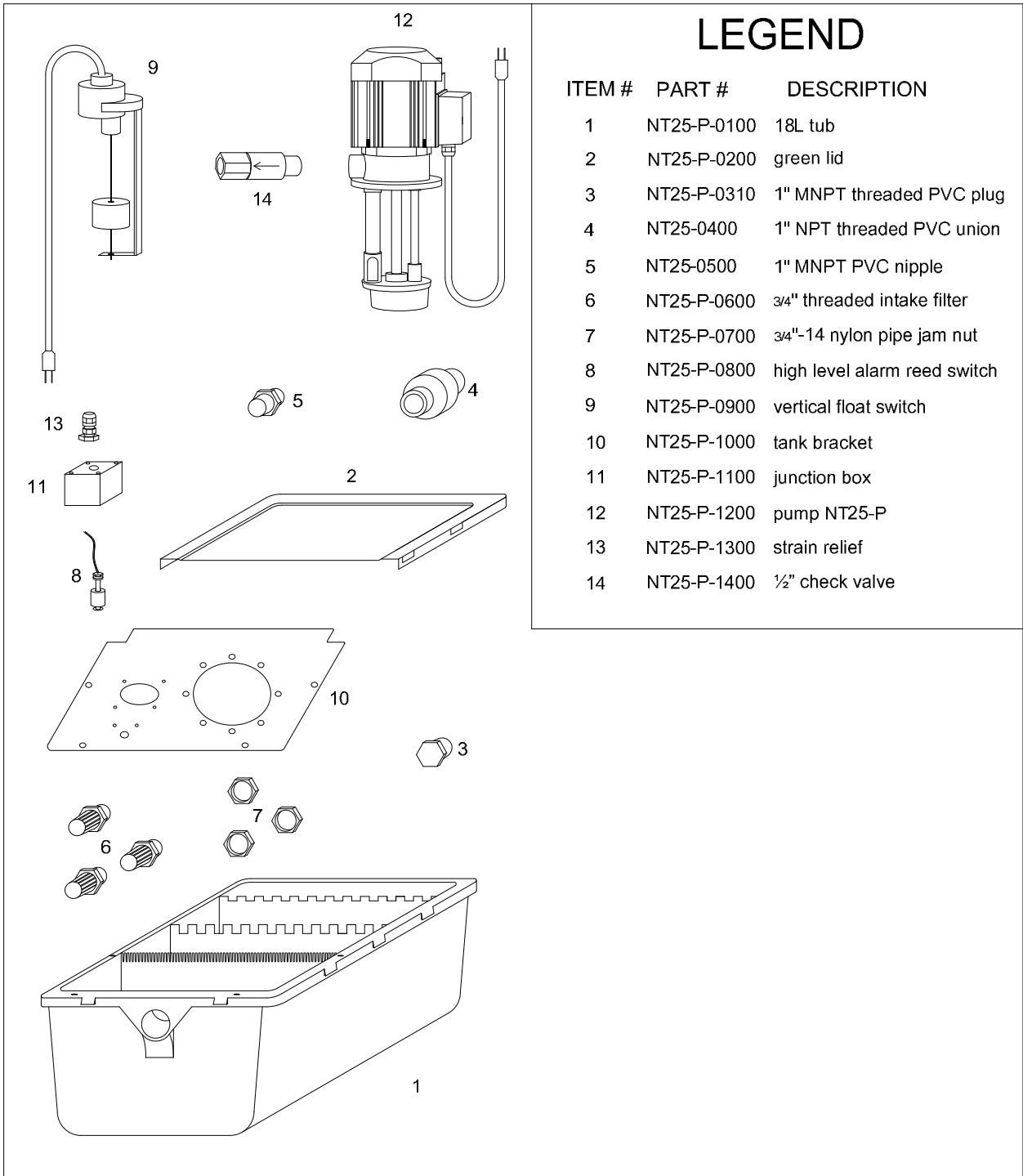
Plug the float switch into an approved electrical outlet then plug the pump into the piggyback on the float switch.

Remove the lid and pour water into the NeutraPump until the float triggers the pump to turn on. Ensure there are no leaks or kinks in the piping. Replace tank lid.

During operation the appliance condensate will flow through the neutralizing media, raising the pH of the condensate to a level that will help prevent corrosion of the domestic drain and the public sewer system. The pump will then remove the condensate to desired location (i.e. drain).

### **Maintenance**

Monitor the level of the neutralization media in the tank periodically. The pH can be checked after the condensate has exited the tank or by removing the lid and taking a sample from the last chamber before the outlet. Use a suitable pH test strip paper or an electronic pH meter for precise measurement. The neutralizing media should be replaced when the pH level drops below the minimum level of the local water authority. For replacement *LipHter* media contact your local Axiom distributor or visit [www.AxiomInd.com](http://www.AxiomInd.com) for more information.



# LEGEND

| ITEM # | PART #      | DESCRIPTION                  |
|--------|-------------|------------------------------|
| 1      | NT25-P-0100 | 18L tub                      |
| 2      | NT25-P-0200 | green lid                    |
| 3      | NT25-P-0310 | 1" MNPT threaded PVC plug    |
| 4      | NT25-P-0400 | 1" NPT threaded PVC union    |
| 5      | NT25-P-0500 | 1" MNPT PVC nipple           |
| 6      | NT25-P-0600 | 3/4" threaded intake filter  |
| 7      | NT25-P-0700 | 3/4"-14 nylon pipe jam nut   |
| 8      | NT25-P-0800 | high level alarm reed switch |
| 9      | NT25-P-0900 | vertical float switch        |
| 10     | NT25-P-1000 | tank bracket                 |
| 11     | NT25-P-1100 | junction box                 |
| 12     | NT25-P-1200 | pump NT25-P                  |
| 13     | NT25-P-1300 | strain relief                |
| 14     | NT25-P-1400 | 1/2" check valve             |

|                   |            |                       |               |
|-------------------|------------|-----------------------|---------------|
| PROJECT           |            | AXIOM INDUSTRIES LTD. |               |
| NT25-P (EXPLODED) |            |                       |               |
| DRWG. NO.         | EQUIP. NO. | JOB NO.               | DATE          |
| 1                 | PARTS LIST |                       | APRIL 23 2013 |



**INDUSTRIES LIMITED**

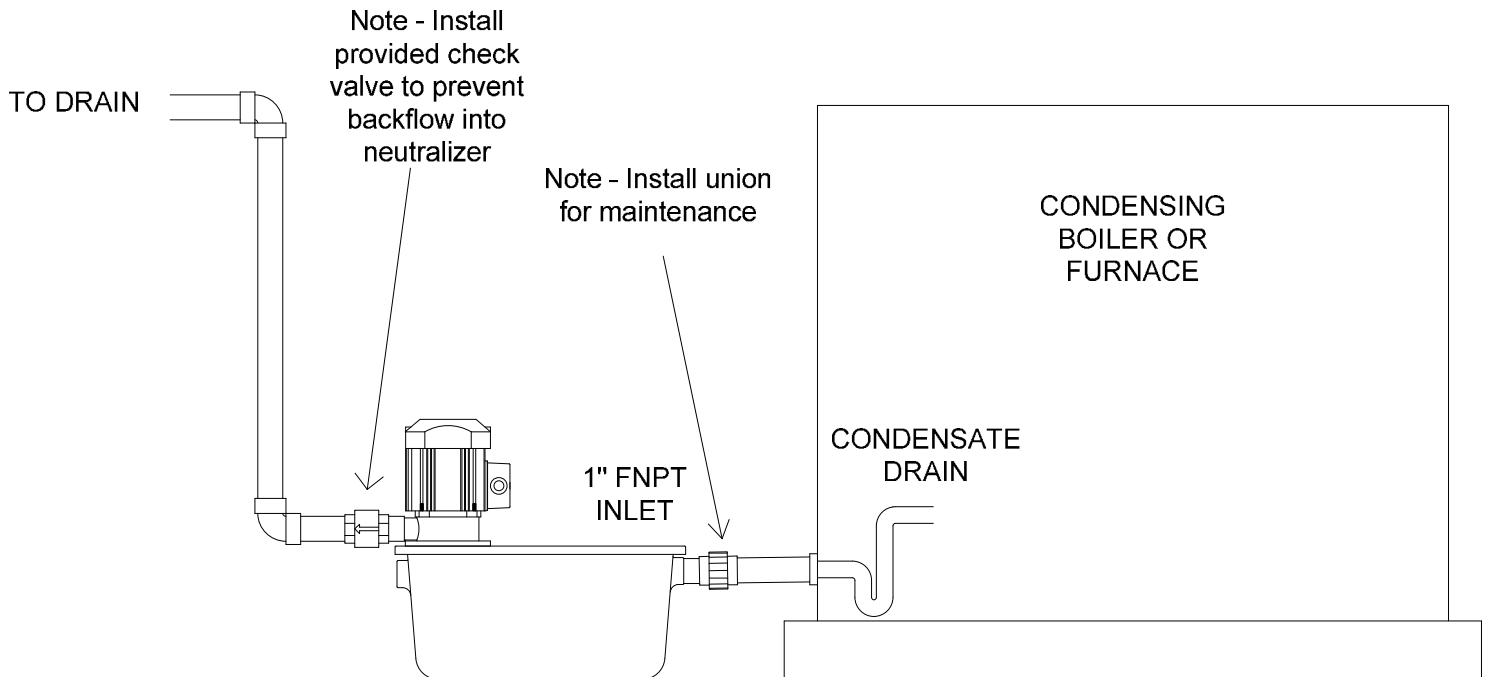


Figure 3: Installation diagram of the NT25-P

**NOTE - Installing the provided check valve at the outlet of the pump is recommended to prevent backflow into neutralizer.**

**Limited Warranty**

The NT25-P is warranted against defects in materials and workmanship for one year.