



INDUSTRIES LTD.

MODEL NT25-P CONDENSATE NEUTRALIZATION TANK WITH PUMP

The NT25-P is ideal for installations that require both condensate removal and neutralization.

The condensate produced by gas fired condensing appliances is acidic and has the potential to harm the environment and the sewer system.

NeutraPump™



FEATURES and BENEFITS

- **40 Gal/hr (150 l/hr)***
- **22 feet of lift at max design flow rate**
- **Comes with high level float for hook up to alarm system**
- **NeutraPump prevents acidic condensate from corroding drains and sewer systems**
- **Neutralized condensate is more environmentally friendly**
- **Low profile design for appliances with near floor condensate drain**
- **All materials made from corrosion resistant material**
- **18 liter (4.8 US gallon) tank with baffles designed to channel flow through LipHter media for complete neutralization**
- **Includes initial charge of Axiom's special LipHter neutralizing media**

* Check with the appliance manufacturer for condensate flowrate or go to our website and use the sizing calculator. As a guideline 6,000,000 BTU/hr at 96% efficiency will produce approximately 40 Gal/hr (150 L/hr).

AXIOM INDUSTRIES LIMITED 2615 WENTZ AVENUE SASKATOON, SK S7K 5J1
TOLL FREE : (877) 651-1815 **PHONE :** (306) 651-1815 **FAX :** (306) 242-3373

www.axiomind.com



INDUSTRIES LIMITED

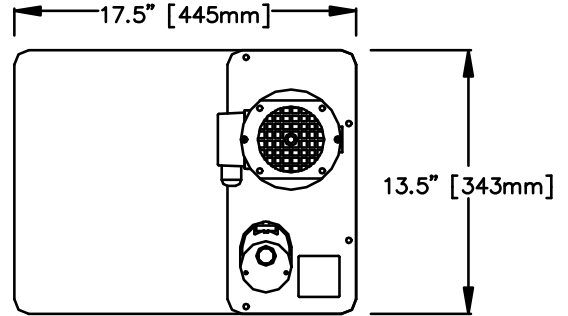
**NT25-P CONDENSATE NEUTRALIZATION TANK WITH PUMP
TECHNICAL INFORMATION**

WEIGHT

25 kg, 55lbs. (full)

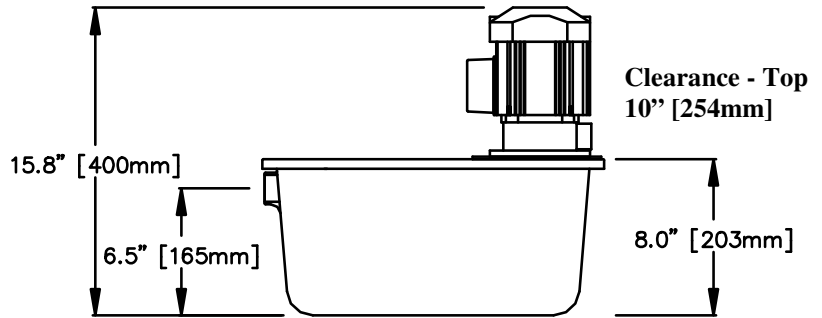
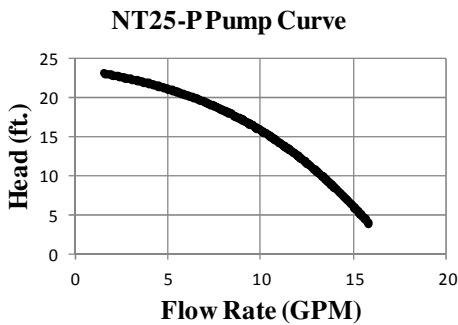
PUMP ELECTRICAL

110/60/1, 1.9 amps
Power: 1/4hp (0.18kW)
Certified to CAN/CSA std C22.2 no. 108-1
Conforms to UL std 778



PUMP PERFORMANCE

Submerged pump is self-priming
Maximum liquid temp. 70 C (158 F)



SPECIFICATION

The condensate neutralization tank with pump shall be AXIOM INDUSTRIES LTD. Model NT25-P. System shall include 18 litre (4.8 U.S. gallon) tank and lid made from polypropylene construction; S.S. mounting bracket and screws; pump with thermal cut-out and electrically certified to CAN/CSA std C22.2 no. 108-1 and conforms to UL std 778; low level float switch; high level float switch for remote alarm system has electrical ratings of 200VDC and 0.5A max; check valve; 1/2" FNPT outlet connection; 1" FNPT inlet; 1" NPT PVC union; 1" NPT PVC close nipple; 10 ft. long power cord. Power supply 110/60/1 1.9A. Comes with 18kg (40lbs) of Axiom's LipHter neutralization media.

ACCESSORIES

- NM-25 – replacement LipHter neutralization media
- RIA10-1-SAA – High level alarm panel provides audible and visual alarm for high level indication



LIMITED WARRANTY

The NT25-P is warranted against defects in materials and workmanship for one year.

Project _____ Location _____
 Consultant _____ Contractor _____
 Unit Tag _____ Sales Agent _____