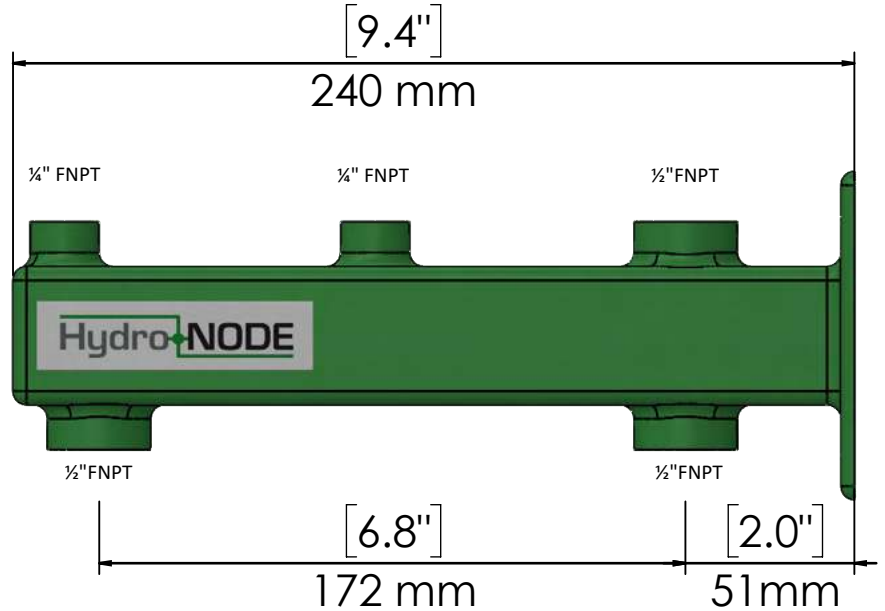
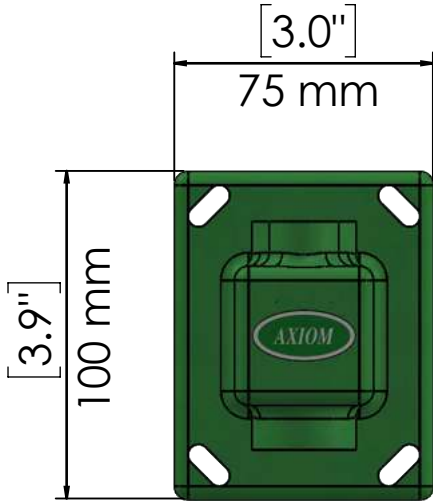




HN-1 EXPANSION TANK BRACKET TECHNICAL INFORMATION

DIMENSIONS:



WEIGHT: 1.06 kg, 2.35 lbs

SPECIFICATION:

Expansion Tank Bracket shall be AXIOM INDUSTRIES LTD. Model HN-1. Bracket shall be constructed out of welded steel material and shall include: three 1/2" FNPT connections; and two 1/4" FNPT connections. Unit shall be mounted on a wall using lag bolts connected to an appropriate material/structure designed to support the weight of the bracket, expansion tank, and any related system piping material

LIMITED WARRANTY:

The Hydro-NODE is warranted against defects in materials and workmanship for one year.

Project _____
Consultant _____
Unit Tag _____

Location _____
Contractor _____
Sales Agent _____