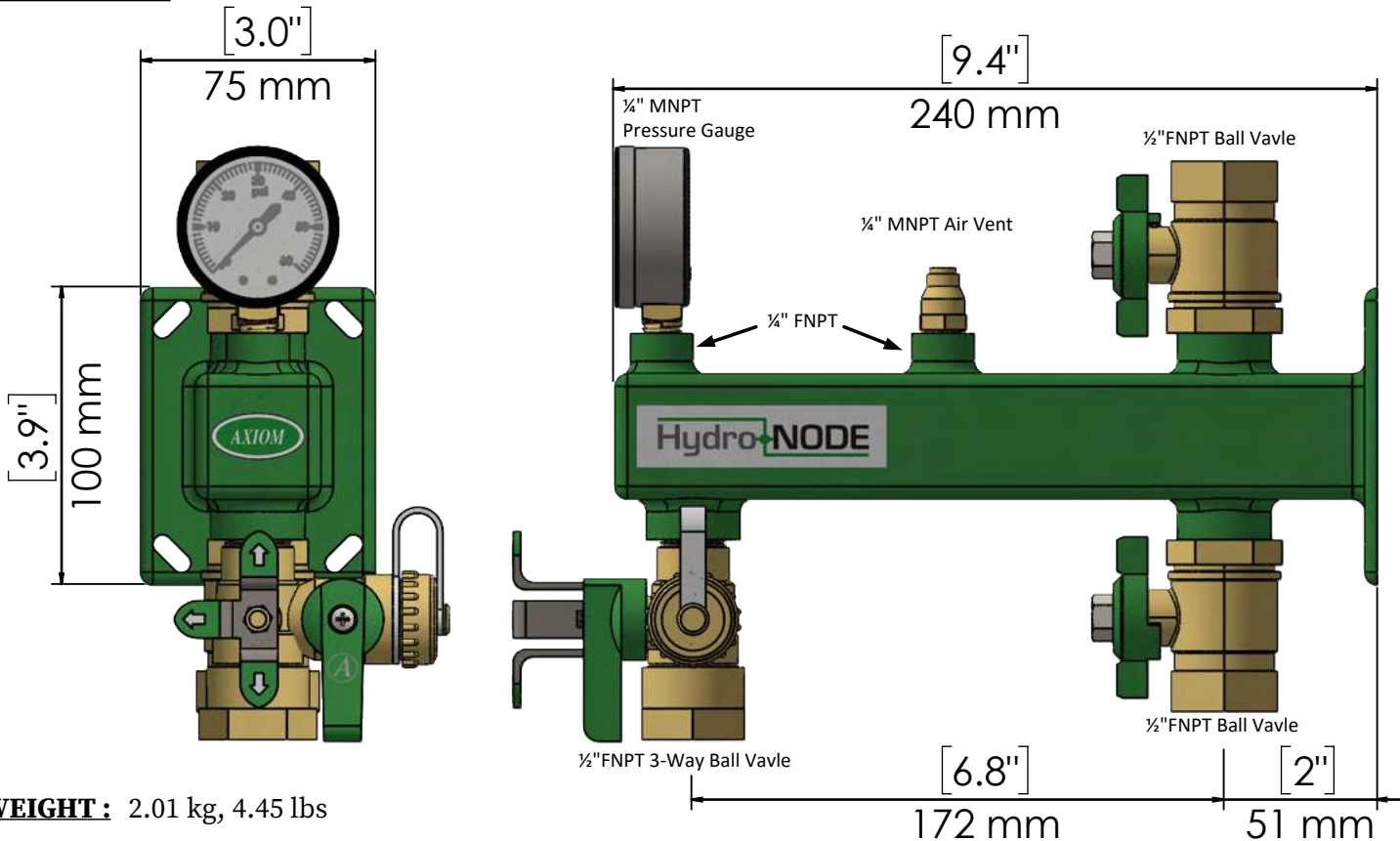




HN-3 (Pro-Kit) EXPANSION TANK BRACKET TECHNICAL INFORMATION

DIMENSIONS :



WEIGHT: 2.01 kg, 4.45 lbs

SPECIFICATION :

Expansion Tank Bracket shall be AXIOM INDUSTRIES LTD. Model HN-3. Bracket shall be constructed out of welded steel material and shall include: two 1/2" FNPT x 1/2" MNPT brass body ball valves with butterfly handle; one 1/4" MNPT manual air vent for purging air from the bracket; one 1/4" MNPT 0-60psi (0-415 kPa) pressure gauge, and one 1/2" MNPT x 1/2" FNPT x 3/4" GHT 3-way ETV-1 expansion tank service valve. Unit shall be mounted on a wall using lag bolts connected to an appropriate material/structure designed to support the weight of the bracket, expansion tank, and any related system piping material.

LIMITED WARRANTY :

The Hydro-NODE is warranted against defects in materials and workmanship for one year.

Project _____
 Consultant _____
 Unit Tag _____

Location _____
 Contractor _____
 Sales Agent _____