

# CBF

" Chemical By-Pass Feeder "



## CBF-2-HP

- Ⓐ Allows for safe and easy chemical dosing
- Ⓐ Ball valves for easy chemical dosing and pot feeder
- Ⓐ Graduated funnel with stainless steel filter for clean, accurate, and mess free chemical addition
- Ⓐ Pressure vessel and fittings made with brass and carbon steel
- Ⓐ 2 Gallon (7.6 litre)
- Ⓐ Comes with wall bracket clamps
- Ⓐ Fully accessible lid
- Ⓐ Max pressure rating is 300psi

**3/4" FNPT Connection**  
**300 Psi (2.07 Mpa) at 200°F (93°C)**

Axiom's Chemical By-Pass Feeder delivers chemicals to any closed loop system. Maintaining a chemically balanced hydronic system has never been easier.

✉ info@axiomind.com

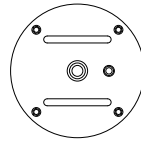
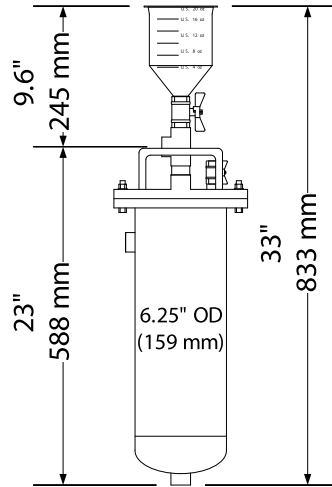
☎ (877)651-1815

🌐 WWW.AXIOMIND.COM



## CBF-2-HP CHEMICAL BY-PASS FEEDER TECHNICAL INFORMATION

**DIMENSIONS :**



**WEIGHT :** 16.78 kg 37 lbs

CBF- 2- HP

	Model	Size	Pressure Vessel Volume	Max Pressure
<input type="checkbox"/>	CBF-2-HP	¾"	2 gal (7.6L)	300psi (2.07MPa)

**SPECIFICATION :**

Chemical By-Pass Feeder shall be AXIOM INDUSTRIES LTD. model CBF-2-HP. System shall include carbon steel chemical by-pass feeder, two ¾" NPT carbon steel tees, four ¾" NPT carbon steel nipples, two ¾" NPT brass ball valves, 1/4" NPT brass ball valve, and 20 US oz.(600 mL) polyethylene graduated funnel with integral 20 mesh strainer, and ¾" NPT connection. The CBF-HP series pot feeder is not for use with potable water.

**LIMITED WARRANTY :**

The Axiom CBF-2-HP Chemical By-Pass Feeder is warranted against defects in materials and workmanship for one year.

Project \_\_\_\_\_  
 Consultant \_\_\_\_\_  
 Unit Tag \_\_\_\_\_

Location \_\_\_\_\_  
 Contractor \_\_\_\_\_  
 Sales Agent \_\_\_\_\_