

CBF

" Chemical By-Pass Feeder "



CBF-2

- Ⓐ Allows for safe and easy chemical dosing
- Ⓐ Ball valves for easy chemical dosing and pot feeder
- Ⓐ Graduated funnel with stainless steel filter for clean, accurate, and mess free chemical addition
- Ⓐ Pressure vessel and fittings made with brass and carbon steel
- Ⓐ 2 Gallon (7.6 litre)
- Ⓐ Comes with wall bracket clamps
- Ⓐ Max pressure rating is 265psi

3/4" FNPT Connection
265 Psi (1.83 Mpa) at 200°F (93°C)

Axiom's Chemical By-Pass Feeder delivers chemicals to any closed loop system. Maintaining a chemically balanced hydronic system has never been easier.

✉ info@axiomind.com

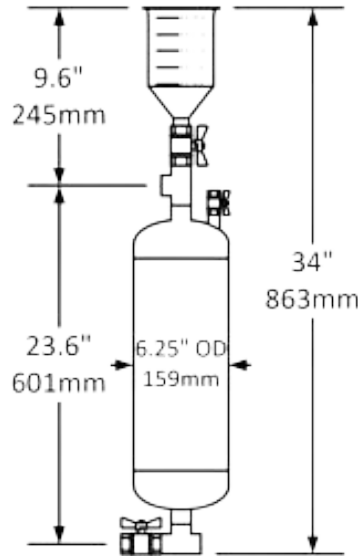
☎ (877)651-1815

🌐 WWW.AXIOMIND.COM



CBF-2 CHEMICAL BY-PASS FEEDER TECHNICAL INFORMATION

DIMENSIONS :



WEIGHT: 11.79 kg 26 lbs



	Model	Size	Pressure Vessel Volume	Max Pressure
<input type="checkbox"/>	CBF-2	3/4"	2 gal (7.6L)	265psi (1.83MPa)

SPECIFICATION :

Chemical By-Pass Feeder shall be AXIOM INDUSTRIES LTD. model CBF-2. System shall include carbon steel chemical by-pass feeder, two 3/4" NPT carbon steel tees, four 3/4" NPT carbon steel nipples, two 3/4" NPT brass ball valves, 1/4" NPT brass ball valve, and 20 US oz.(600 mL) polyethylene graduated funnel with integral 20 mesh strainer, and 3/4" NPT connection. The CBF series pot feeder is not for use with potable water.

LIMITED WARRANTY :

The Axiom CBF-2 Chemical By-Pass Feeder is warranted against defects in materials and workmanship for one year.

Project _____
 Consultant _____
 Unit Tag _____

Location _____
 Contractor _____
 Sales Agent _____