

CBF

" Chemical By-Pass Feeder "



CBF-5-HP

- Ⓐ Allows for safe and easy chemical dosing
- Ⓐ Ball valves for easy chemical dosing and pot feeder
- Ⓐ Graduated funnel with stainless steel filter for clean, accurate, and mess free chemical addition
- Ⓐ Pressure vessel and fittings made with brass and carbon steel
- Ⓐ 5 Gallon (18.9 litre)
- Ⓐ Comes with adjustable legs
- Ⓐ Fully accessible lid
- Ⓐ Max pressure ratings is 300psi

¾" FNPT Connection
300 Psi (2.07 Mpa) at 200°F (93°C)

Axiom's Chemical By-Pass Feeder delivers chemicals to any closed loop system. Maintaining a chemically balanced hydronic system has never been easier.

✉ info@axiomind.com

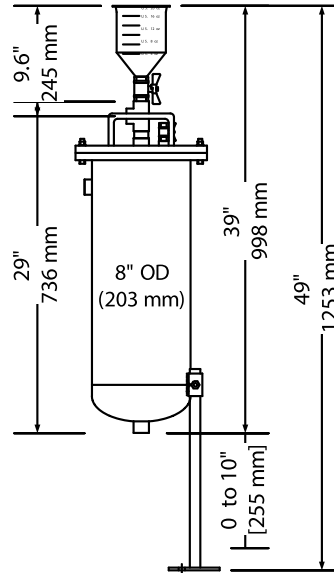
☎ (877)651-1815

🌐 WWW.AXIOMIND.COM

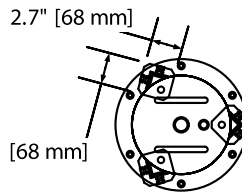


CBF-5-HP CHEMICAL BY-PASS FEEDER TECHNICAL INFORMATION

DIMENSIONS :



WEIGHT : 35.8 kg 79 lbs



CBF- 5- HP

	Model	Size	Pressure Vessel Volume	Max Pressure
☐	CBF-5-HP	¾"	5 gal (18.9L)	300psi (2.07MPa)

SPECIFICATION :

Chemical By-Pass Feeder shall be AXIOM INDUSTRIES LTD. model CBF-5-HP. System shall include carbon steel chemical by-pass feeder, two ¾" NPT carbon steel tees, four ¾" NPT carbon steel nipples, two ¾" NPT brass ball valves, 1/4" NPT brass ball valve, and 20 US oz.(600 mL) polyethylene graduated funnel with integral 20 mesh strainer, and ¾" NPT connection. The CBF-HP series pot feeder is not for use with potable water. Model CBF-5 series comes with three 17.6"

LIMITED WARRANTY :

The Axiom CBF-5-HP Chemical By-Pass Feeder is warranted against defects in materials and workmanship for one year.

Project _____
 Consultant _____
 Unit Tag _____

Location _____
 Contractor _____
 Sales Agent _____