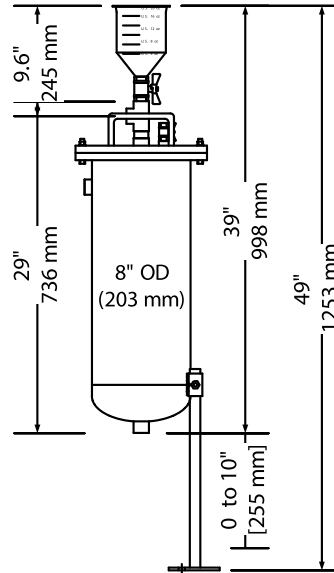


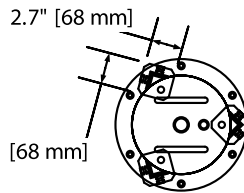


## CBF-5-HP CHEMICAL BY-PASS FEEDER TECHNICAL INFORMATION

**DIMENSIONS :**



**WEIGHT :** 35.8 kg 79 lbs



CBF- 5- HP

	Model	Size	Pressure Vessel Volume	Max Pressure
<input type="checkbox"/>	<b>CBF-5-HP</b>	$\frac{3}{4}$ "	5 gal (18.9L)	300psi (2.07MPa)

**SPECIFICATION :**

Chemical By-Pass Feeder shall be AXIOM INDUSTRIES LTD. model CBF-5-HP. System shall include carbon steel chemical by-pass feeder, two  $\frac{3}{4}$ " NPT carbon steel tees, four  $\frac{3}{4}$ " NPT carbon steel nipples, two  $\frac{3}{4}$ " NPT brass ball valves, 1/4" NPT brass ball valve, and 20 US oz.(600 mL) polyethylene graduated funnel with integral 20 mesh strainer, and  $\frac{3}{4}$ " NPT connection. The CBF-HP series pot feeder is not for use with potable water. Model CBF-5 series comes with three 17.6"

**LIMITED WARRANTY :**

The Axiom CBF-5-HP Chemical By-Pass Feeder is warranted against defects in materials and workmanship for one year.

Project \_\_\_\_\_  
 Consultant \_\_\_\_\_  
 Unit Tag \_\_\_\_\_

Location \_\_\_\_\_  
 Contractor \_\_\_\_\_  
 Sales Agent \_\_\_\_\_