

SYSTEM FEEDER

AXIOM

DMF150



- ▲ Simple, user-friendly digital control
- ▲ Adjustable pressure set point between 0-45 psi
- ▲ Digital control has an alarm contact output and LED warning indicator
- ▲ Tilted 4" easy-fill access located at the front of the tank
- ▲ 4.5 USG reservoir tank stores suitable replacement fluid to automatically maintain system pressure
- ▲ Translucent reservoir tank with molded-in fluid gauge provides leak detection
- ▲ Minimizes flood damage if there is a system leak by having a limited amount of make-up fluid.
- ▲ Fluid drained for service is easily pumped back into the system
- ▲ UL listed power supply plugs into any standard 115 VAC outlet
- ▲ Comes with a wall bracket

0-45 Psi
(4.5 USG)

Axiom System Feeders are designed to simplify the process of maintaining the cold static fluid pressure in closed-loop heating and cooling systems. Having a reservoir of suitable make-up fluid eliminates the need for backflow prevention and helps solve many of the associated problems when using domestic water as a make-up fluid.

✉ info@axiomind.com

☎ (877)651-1815

🌐 WWW.AXIOMIND.COM

PressurePal



DMF150 HYDRONIC SYSTEM FEEDER TECHNICAL INFORMATION

SYSTEM CONNECTION :

Top -- 1/2 "FNPT"

WEIGHT : 4.5 kg 10 lbs (Empty)

PUMP ELECTRICAL :

Rated 50 watts

UL listed AC/DC power supply adapter

100-240 VAC/50-60 Hz/1 to 24 VDC

PUMP PERFORMANCE :

3.78 l/m (1.0 gpm) @ free flow

Self-priming up to 1.2 m (4 feet)

CLEARANCES :

Depth -- 12.0 in (305 mm)

Right/Left - 0 in (0mm)

* Provided that side screws on lid are removed upon installation

SPECIFICATION :

Hydronic system feeder shall be AXIOM INDUSTRIES LTD. Model DMF150. System shall include 17 litre (4.5 U.S. gallon) storage/mixing tank with molded-in liquid level gauge, 100 mm (4") fill/access opening and cover; pump suction hose with inlet strainer; pressure pump with fuse protection; low fluid level pump cut-out float switch; manual diverter valve for purging air and agitating contents of storage tank; digital pressure switch adjustable from 0 kPa (0 psig) to 310 kPa (45 psig) cut-out pressure; factory cut-out pressure set to 115 kPa (18 psig); digital pressure display, visual alarm on low level, low level alarm comes with remote dry contacts (NO or NC); wall mounting bracket. Unit c/w UL listed and fused power supply adapter with LED power indicator light, 100-240VAC/50-60Hz/1 to 24 VDC, supplied loose for field installation.

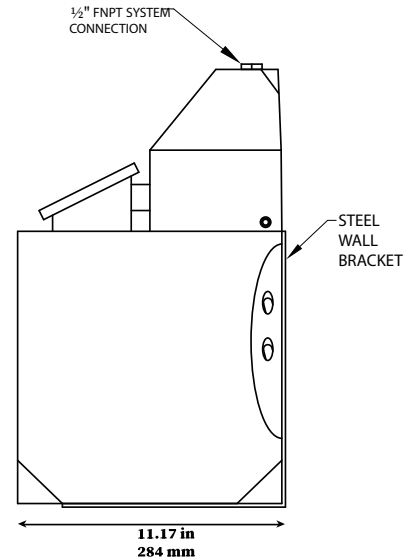
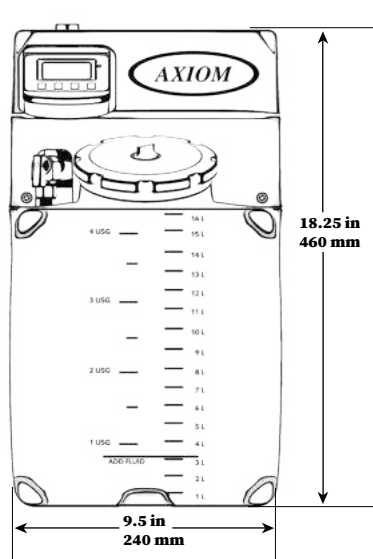
Feeder shall be compatible with glycol solutions of up to 50% concentration. Pump shall be capable of running dry without damage. Unit shall be completely assembled.

OPTIONAL ACCESSORIES :

- RIA10-1-SAA** -- Low level Alarm Panel provides selectable Audible Alarm and additional remote monitoring dry contacts (DMF digital pressure switch c/w NO or NC remote monitoring dry contacts)

LIMITED WARRANTY :

The DMF150 is warranted against defects in materials and workmanship for one year.



Project _____
Consultant _____
Unit Tag _____

Location _____
Contractor _____
Sales Agent _____