

Side Stream Filter



FH-10 (Filter Housing)

- Stainless Steel Construction
- Houses 10" DOE Filter
- 3/4" FNPT Connection
- Includes drain valve with hose connection and cap
- Double O-ring on filter housing for reliable leak free cartridge replacements
- Filter vessel can be used for chemical dosing. Upto 0.4 Gallon (1.5 litre)
- Reduces equipment maintenance cost and extends system life
- Wall mount bracket included
- Includes opening tool
- Compatible with water, propylene glycol, Ethylene glycol, methanol (50%), Ethanol (50%)

3/4" FNPT Connection, 10" Filter
300 Psi (2,068 kPa) at 200°F (93°C)

Axiom's Hydronic Filter Housing delivers effective ongoing protection against the damaging effects of debris in all types of heating and cooling systems. Maintaining a clean hydronic system fluid has never been easier.

✉ info@axiomind.com

☎ (877)651-1815

🌐 WWW.AXIOMIND.COM

FilterPak



FH-10 SIDE STREAM FILTERPAK TECHNICAL INFORMATION

DIMENSIONS :

WEIGHT : 3.17 kg 7 lbs

PARTS :

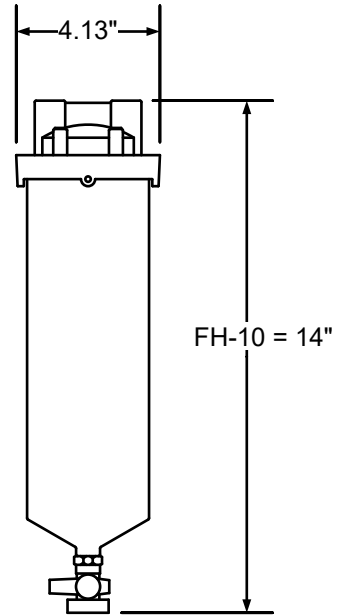
SFP-10-5M : 5 micron cartridge replacement for 10" filter housing

SFP-10-10M : 10 micron cartridge replacement for 10" filter housing

SFP-10-25M : 25 micron cartridge replacement for 10" filter housing

SFP-10-0800 : EPDM O-Ring set

SFP-10-0900 : Opening tool for FH



	Model	Size	Side Stream Flow Rate	Filter Size	Vessel Volume
<input type="checkbox"/>	FH-10	3/4"	1-10 gpm (0-38 lpm)	10" (254mm)DOE cotton wound	0.4 gal (1.5L)

SPECIFICATION :

Hydronic Filter Housing shall be AXIOM INDUSTRIES LTD. model FH-10. System shall include of 304SS filter housing with 304SS head, two EPDM O-rings, and brass drain valve with barb fitting and cap.

LIMITED WARRANTY :

The Axiom FH filter housing is warranted against defects in materials and workmanship for one year.

Project _____
 Consultant _____
 Unit Tag _____

Location _____
 Contractor _____
 Sales Agent _____