

SYSTEM FEEDER

AXIOM



MF200

- Adjustable pressure set point between 10-25psi
- Fluid level switch shuts the pump off if the storage tank level gets too low
- Tilted 4" fill opening
- 6.0 USG reservoir tank stores suitable replacement fluid to automatically maintain system pressure
- Translucent reservoir tank with molded-in fluid gauge provides leak detection
- Minimizes flood damage if there is a system leak by having a limited amount of make-up fluid.
- Fluid drained for service is easily pumped back into the system
- UL listed power supply plugs into any standard 115 VAC outlet

10-25 Psig
(6.0 USG)

Axiom System Feeders are designed to simplify the process of maintaining the cold static fluid pressure in closed-loop heating and cooling systems. Having a reservoir of suitable make-up fluid eliminates the need for backflow prevention and helps solve many of the associated problems when using domestic water as a make-up fluid.

✉ info@axiomind.com

☎ (877)651-1815

🌐 WWW.AXIOMIND.COM

PressurePal



MF200 HYDRONIC SYSTEM FEEDER TECHNICAL INFORMATION

DIMENSIONS :

WEIGHT : 5.4 kg 12 lbs

* Weight When Full 60 lbs/ 27kg Discharge

PUMP ELECTRICAL :

Rated 50 watts

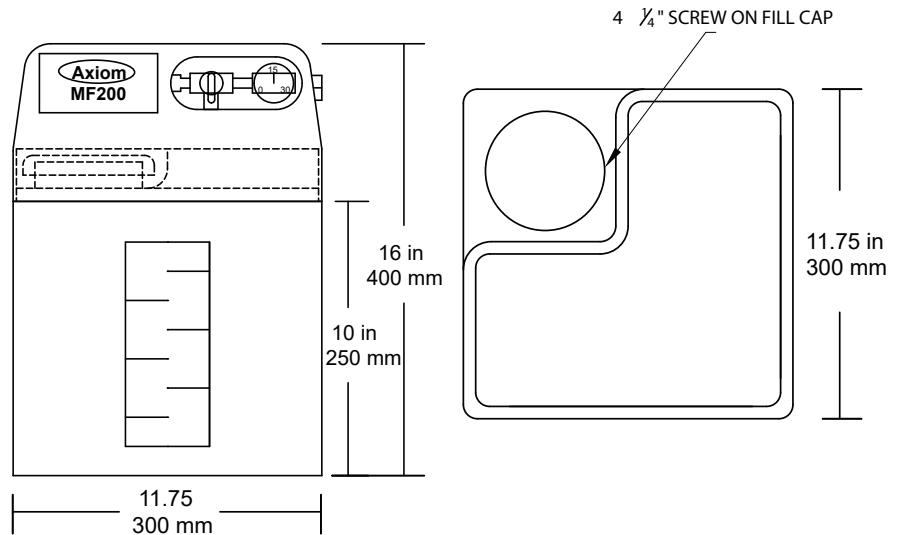
UL listed AC/DC power supply adapter

100-240 VAC/50-60 Hz/1 to 24 VDC

PUMP PERFORMANCE :

0.04 l/m (1.0 gpm) @ free flow

Self-priming up to 1.2 m (4 feet)



CLEARANCES :

Depth -- 11.75 in (300 mm)

Clearances -- Right side and Top - 12 in 305 mm

System Connection -- 1/2" FPT

SPECIFICATION :

Hydronic system feeder shall be AXIOM INDUSTRIES LTD. Model MF200. System shall include 25 litre (6.0 U.S. gallon) storage/mixing tank with molded-in liquid level gauge, 100 mm (4") fill/access opening and cover; pump suction hose with inlet strainer; check valve; pressure pump with fuse protection; low fluid level pump cut-out float switch; manual diverter valve for purging air and agitating contents of storage tank; pressure switch with snubber, adjustable from 70 kPa (10 psig) to 170 kPa (25 psig) cut-out pressure; factory cut-out pressure set to 115 kPa (17psig); and liquid filled pressure gauge. Unit c/w UL listed power supply adapter with LED power indicator light, 100-240VAC/50-60Hz/1 to 24 VDC, supplied loose for field installation.

Feeder shall be compatible with glycol solutions of up to 50% concentration. Pump shall be capable of running dry without damage. Unit shall be completely assembled.

OPTIONAL ACCESSORIES :

MF200-1430 -- Tank Mounting Shelf

RIA10-1-SAA -- Low level Alarm Panel c/w Remote Monitoring Dry Contacts and Selectable Audible Alarm

LIMITED WARRANTY :

The MF200 is warranted against defects in materials and workmanship for one year.

Project _____

Consultant _____

Unit Tag _____

Location _____

Contractor _____

Sales Agent _____