

# Condensate Neutralizer

AXIOM

## NC-2S (Hard Pipe Kit)



PVC Adapters

Featuring: **LipHter<sup>+</sup>**

- Ⓐ NeutraPal prevents acidic condensate from corroding drains and sewer systems
- Ⓐ Neutralized condensate is more environmentally friendly
- Ⓐ Fast and easy installation, **includes 3/4" PVC socket weld adaptor for hard pipe installation**
- Ⓐ Low profile design for appliances with a near floor condensate drain
- Ⓐ Helps maintain a neutral environment for bacteria in septic systems
- Ⓐ All corrosion resistant materials
- Ⓐ Suitable for use on all types of Natural Gas and Propane appliances
- Ⓐ Includes initial charge of LipHter<sup>+</sup> neutralizing agent

**1,000,000 Btu/hr**  
(4.0 Gal/hr, 15.1 l/hr)

\* Check with the appliance manufacturer for condensate flowrate. As a guideline 1,000,000 BTU/hr at 93% efficiency will produce approximately 4.0 Gal/hr.

The NC-2S 'NeutraPal' is ideal for neutralizing condensate from condensing boilers and furnaces operating on natural gas or propane. The condensate is acidic and has the potential to harm the environment and the sewer system. The NeutraPal will raise the pH of the condensate to a more neutral level before it is discharged to drain.

✉ info@axiomind.com

☎ (877)651-1815

🌐 WWW.AXIOMIND.COM

NeutraPal™



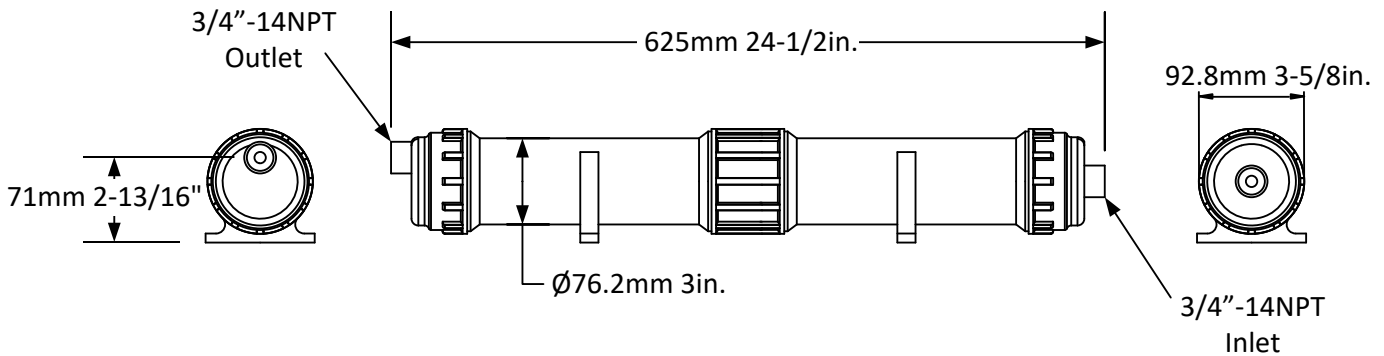
## NC-2S Condensate Neutralizer Technical Information

**KIT CONTENTS:**



No.	Parts Description
A	Four NC Series O-Ring for Canister
B	Two NC Series Union
C	Two 3/4" NPT to 3/4" PVC socket weld
D	Two Base/Wall Mounting Clamps

**DIMENSIONS:**



**WEIGHT:** 3.5 kg, 7.7 lbs. (dry weight with Media)

**SPECIFICATION:**

The condensate neutralization capsule shall be AXIOM INDUSTRIES LTD. model NC-2S. System shall include 2 litre (0.53 U.S. gallon) transparent capsule made from corrosion resistant materials with two 3" fill/access openings, 3" inlet and outlet screen, 3/4"-14NPT threaded inlet, 3/4"-14NPT threaded outlet, two 3/4" MNPT x 3/4" FNPT unions two 3/4" NPT to 3/4" PVC socket weld schedule 40 fittings, two base/wall mounting clamps.

**OPTIONAL ACCESSORIES:**

- 2 x NM-1** -- Replacement LipHter<sup>+</sup> neutralization media (NM-1 x 2 for exact Refill)
- NM-1BULK** -- Replacement LipHter<sup>+</sup> neutralization media (Up to 7 Refills)

**LIMITED WARRANTY:**

The "NC-2S" is warranted against defects in materials and workmanship for one year.



Project \_\_\_\_\_  
 Consultant \_\_\_\_\_  
 Unit Tag \_\_\_\_\_

Location \_\_\_\_\_  
 Contractor \_\_\_\_\_  
 Sales Agent \_\_\_\_\_