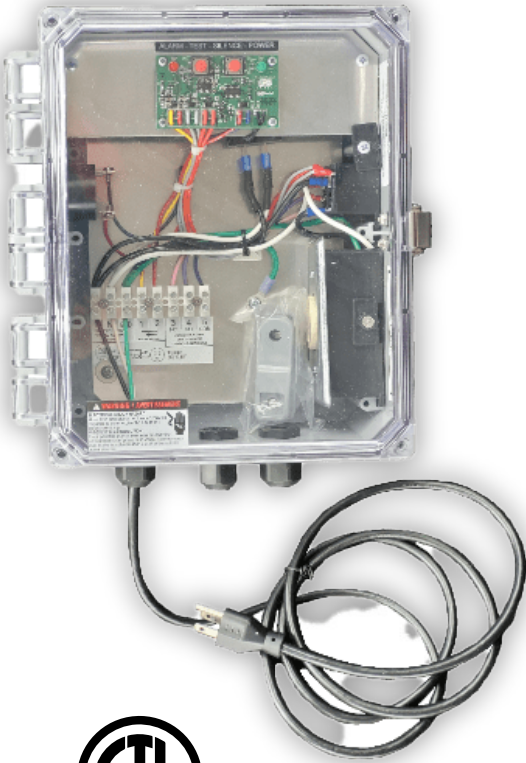


SYSTEM FEEDER



RIA10-1-4X



- ▲ Provides Audible & Visual LED notification of a low-level condition inside system feeder
- ▲ On low-level condition the power supply used for the system feeder power will be disabled
- ▲ NEMA 4x rated enclosure with clear front panel
- ▲ Easily test the panel operation at the push of a button
- ▲ Audible Alarm can be silenced
- ▲ Includes a set of dry contacts for third-party notification
- ▲ All units plug into any standard 115 VAC outlet
- ▲ Panel UL listed

Alarm Panel

SPECIFICATIONS:

Electrical Rating Motors: ¼ hp at 115 Volts/230 Volts

Cable: Neoprene, Type SJOW No. 16/2 (7.6 mm Dia.)

Temperature: 140° F (60° C)

Panel Dimensions: 260mm (10.2 in) x 128mm (5.03 in) x 92mm (3.62 in).

Alarm Panel Enclosure Rating: NEMA 4x

On a low-level condition the RIA10-1-4x Alarm Panel will be disable the system feeder, audible alarm will sound and a set of dry contacts will close for remote indication to a DCS.

✉ info@axiomind.com

☎ (877)651-1815

🌐 WWW.AXIOMIND.COM

PressurePal



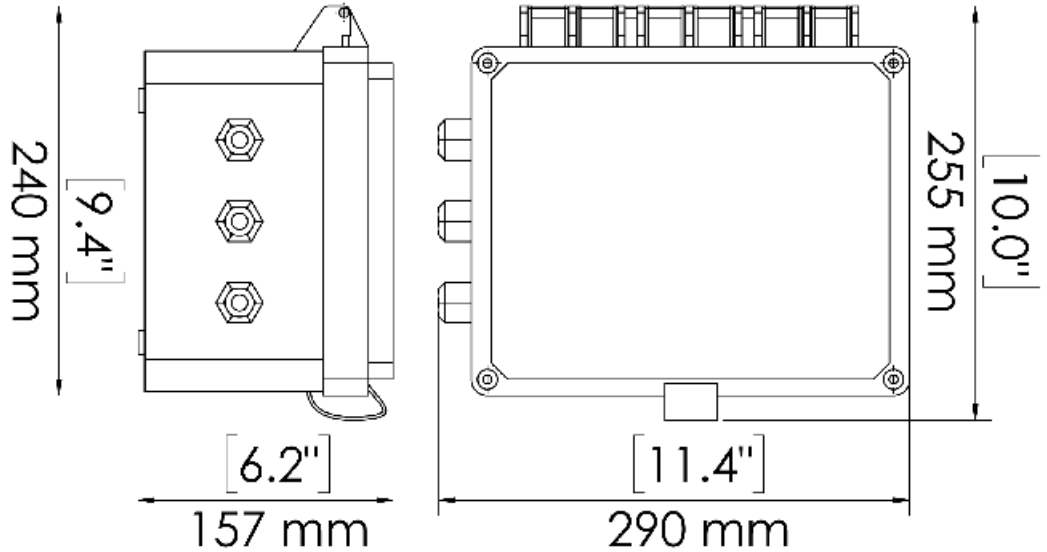
RIA10-1-4x ALARM PANEL TECHNICAL INFORMATION

DIMENSIONS :

WEIGHT : 2.26 kg, 5 lbs

PANEL ELECTRICAL :

115/60/1, 0.7 amps
3-prong plug and cord



**Certified to CAN/CSA
C22.2 No. 68**



**Conforms to
UL 739901055**

SPECIFICATION :

NEMA 4X Alarm panel shall incorporate a power supply cord, pump/alarm relay, power on and alarm indicating lights, alarm buzzer, test switch, silence/off switch, and receptacle for SF100 power supply cord. On low-level condition the SF100 will be disabled, the alarm will sound and a set of dry contacts will open/close.

LIMITED WARRANTY :

The RIA10-1-4X is warranted against defects in materials and workmanship for one year.

Project _____
 Consultant _____
 Unit Tag _____

Location _____
 Contractor _____
 Sales Agent _____