

SYSTEM FEEDER

AXIOM

RIA10-1-SAA



Alarm Panel

- Provides Audible & Visual LED notification of a low-level condition inside system feeder
- On low-level condition the power supply used for the system feeder power will be disabled
- Easily test the panel operation at the push of a button
- Audible Alarm can be silenced
- Includes a set of dry contacts for third-party notification
- All units plug into any standard 115 VAC outlet
- Panel is UL listed

SPECIFICATIONS:

Electrical Rating Motors: ¼ hp at 115 Volts/230 Volts

Cable: Neoprene, Type SJOW No. 16/2 (7.6 mm Dia.)

Temperature: 140° F (60° C)

Panel Dimensions: 153mm (6 in) x 120mm

(4.75 in) x 55mm (2.25 in)

On a low-level condition the RIA10-1-SAA Alarm Panel will be disable the system feeder, audible alarm will sound and a set of dry contacts will close for remote indication to a DCS.

✉ info@axiomind.com

☎ (877)651-1815

🌐 WWW.AXIOMIND.COM

PressurePal



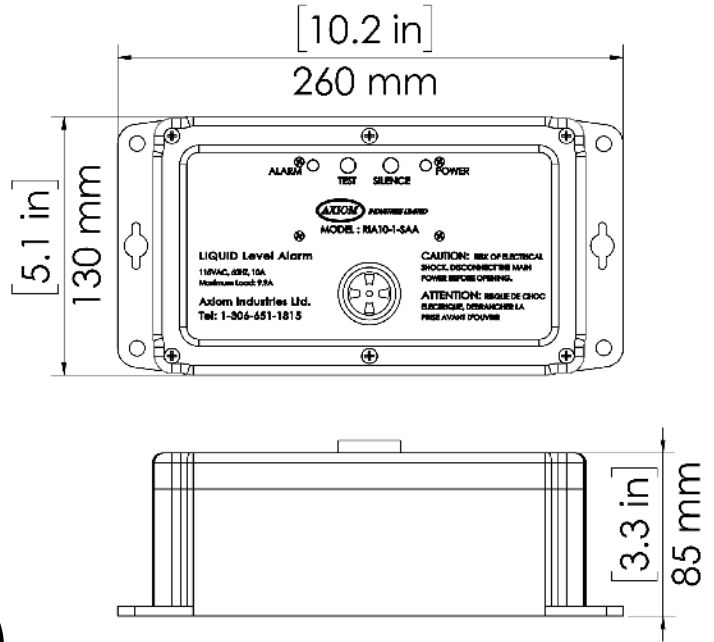
RIA10-1-SAA ALARM PANEL TECHNICAL INFORMATION

DIMENSIONS :

WEIGHT : 1.81 kg, 4 lbs

PANEL ELECTRICAL :

115/60/1, 0.7 amps
3-prong plug and cord



**Certified to CAN/CSA
C22.2 No. 68**



**Conforms to
UL 739901055**

SPECIFICATION :

Alarm panel shall incorporate a power supply cord, pump/alarm relay, power on and alarm indicating lights, alarm buzzer, test switch, silence/off switch, and receptacle for SF100 power supply cord. On low-level condition the SF100 will be disabled, the alarm will sound and a set of dry contacts will open/close.

LIMITED WARRANTY :

The RIA10-1-SAA is warranted against defects in materials and workmanship for one year.

Project _____
Consultant _____
Unit Tag _____

Location _____
Contractor _____
Sales Agent _____