



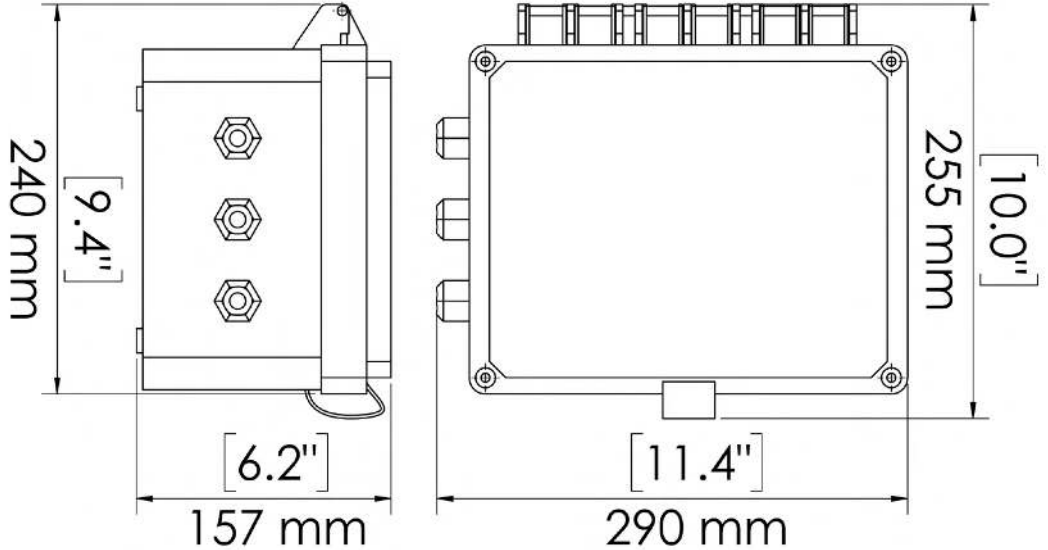
## RIA10-1-4x ALARM PANEL TECHNICAL INFORMATION

### **DIMENSIONS :**

**WEIGHT :** 2.26 kg, 5 lbs

### **PANEL ELECTRICAL :**

115/60/1, 0.7 amps  
3-prong plug and cord



**Certified to CAN/CSA  
C22.2 No. 68**



**Conforms to  
UL 739901055**

### **SPECIFICATION :**

NEMA 4X Alarm panel shall incorporate a power supply cord, pump/alarm relay, power on and alarm indicating lights, alarm buzzer, test switch, silence/off switch, and receptacle for SF100 power supply cord. On low-level condition the SF100 will be disabled, the alarm will sound and a set of dry contacts will open/close.

### **LIMITED WARRANTY :**

The RIA10-1-4X is warranted against defects in materials and workmanship for one year.

Project \_\_\_\_\_  
Consultant \_\_\_\_\_  
Unit Tag \_\_\_\_\_

Location \_\_\_\_\_  
Contractor \_\_\_\_\_  
Sales Agent \_\_\_\_\_