



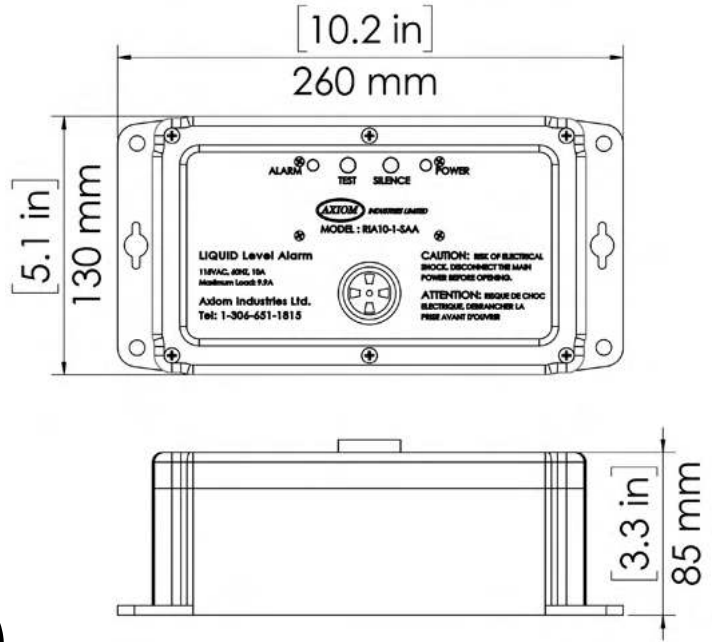
RIA10-1-SAA ALARM PANEL TECHNICAL INFORMATION

DIMENSIONS :

WEIGHT : 1.81 kg, 4 lbs

PANEL ELECTRICAL :

115/60/1, 0.7 amps
3-prong plug and cord



**Certified to CAN/CSA
C22.2 No. 68**



**Conforms to
UL 739901055**

SPECIFICATION :

Alarm panel shall incorporate a power supply cord, pump/alarm relay, power on and alarm indicating lights, alarm buzzer, test switch, silence/off switch, and receptacle for SF100 power supply cord. On low-level condition the SF100 will be disabled, the alarm will sound and a set of dry contacts will open/close.

LIMITED WARRANTY :

The RIA10-1-SAA is warranted against defects in materials and workmanship for one year.

Project _____
Consultant _____
Unit Tag _____

Location _____
Contractor _____
Sales Agent _____