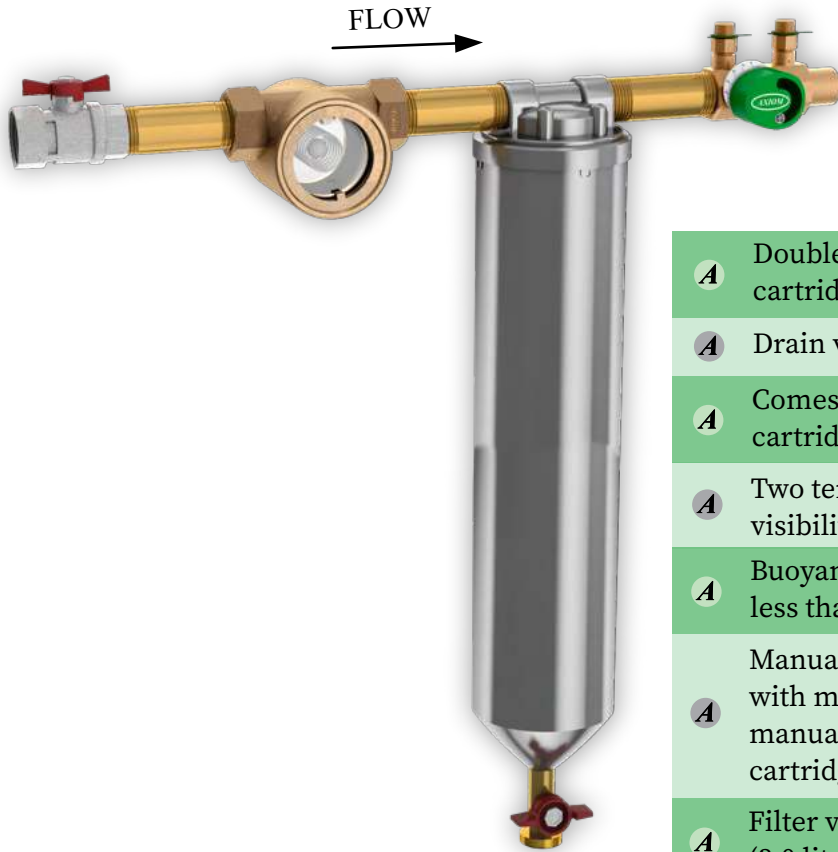


Side Stream Filter



SFP-20 (Side Stream FilterPak)

- Double O-ring on filter housing for reliable leak free cartridge replacements
- Drain valve with hose connection and cap
- Comes with standard DOE 25 micron cotton wound filter cartridge (5 micron filters available)
- Two tempered borosilicate glass windows gives better fluid visibility
- Buoyant TPX ball movement can be seen at low flow rates less than 1 gpm
- Manual balance valve provides flow metering, flow balancing with memory stop and filter cartridge isolation. Integral manual air vent prevents the introduction of air during cartridge change
- Filter vessel can be used for chemical dosing. Up to 0.8 Gallon (3.0 litre)
- Brass and stainless steel construction
- Reduces equipment maintenance cost and extends system life

3/4" FNPT Connections, 20" Filter
125 Psi (860 kPa) at 200°F (93°C)

Axiom's Hydronic Sidestream Filter Package delivers effective ongoing protection against the damaging effects of debris in all types of heating and cooling systems. Monitoring and maintaining clean hydronic system fluid has never been easier.

✉ info@axiomind.com

☎ (877)651-1815

🌐 WWW.AXIOMIND.COM

FilterPak



SFP-20 SIDE STREAM FILTERPAK TECHNICAL INFORMATION

DIMENSIONS :

WEIGHT : 5.89 kg 13 lbs

PARTS :

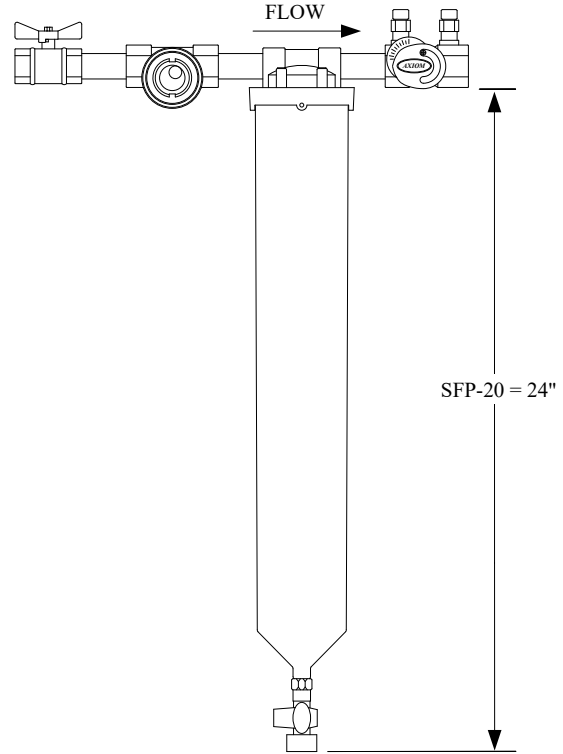
SFP-20-5M : 5 micron cartridge replacement for 20" filter housing

SFP-20-10M : 10 micron cartridge replacement for 20" filter housing

SFP-20-25M : 25 micron cartridge replacement for 20" filter housing

SFP-10-0800 : EPDM O-Ring set

SFP-10-0900 : Opening tool for FH



	Model	Size	Side Stream Flow Rate	Filter Size	Vessel Volume
<input type="checkbox"/>	SFP-20	1"	10-20 gpm (38-76 lpm)	20" (508mm) DOE cotton wound	0.8 gal (3.0L)

SPECIFICATION :

Hydronic Filter Package shall be AXIOM INDUSTRIES LTD. model SFP-20. System shall include filter, sight flow indicator, ball valve, balancing valve, and nipples. Filter shall be constructed of 304SS filter housing with 304SS head and shall include two EPDM O-rings, brass drain valve with barb fitting and cap, and filter cartridge shall be a 25 micron cotton wound filter cartridge with tin core (5 micron replacement cartridges available separately). Sight flow indicator shall have a brass body and include EPDM O-rings, two tempered borosilicate glass windows, 304SS cage, TPX ball, and cork washers (non-wetted part). Ball valve shall be of brass construction. Manual balancing valve shall be of brass construction and comes with an integral air vent, memory stop, and shall be able to provide flow metering, flow balancing, and filter cartridge isolation. Three brass nipples shall each be 3" in length. The SFP series is not for potable water.

LIMITED WARRANTY :

The Axiom SFP Side Stream Filter Pak is warranted against defects in materials and workmanship for one year.

Project _____
 Consultant _____
 Unit Tag _____

Location _____
 Contractor _____
 Sales Agent _____