



## SFP-20 SIDE STREAM FILTERPAK TECHNICAL INFORMATION

**DIMENSIONS :**

**WEIGHT :** 5.89 kg 13 lbs

**PARTS :**

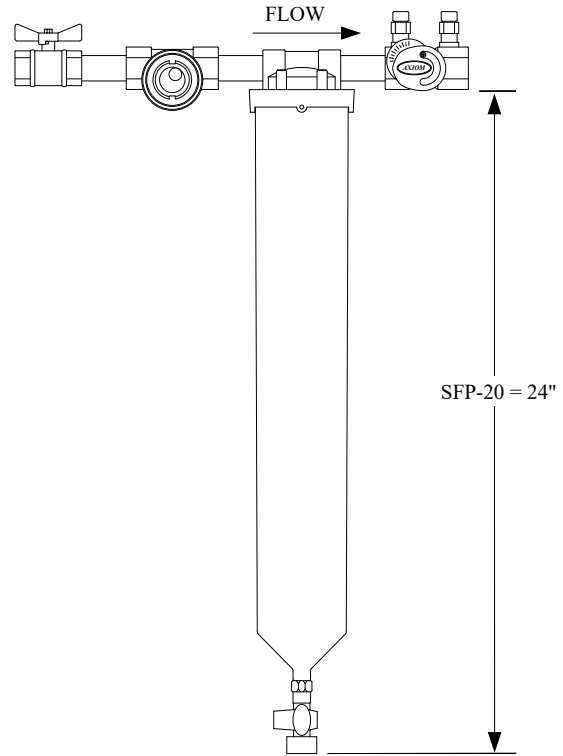
**SFP-20-5M :** 5 micron cartridge replacement for 20" filter housing

**SFP-20-10M :** 10 micron cartridge replacement for 20" filter housing

**SFP-20-25M :** 25 micron cartridge replacement for 20" filter housing

**SFP-10-0800 :** EPDM O-Ring set

**SFP-10-0900 :** Opening tool for FH



	Model	Size	Side Stream Flow Rate	Filter Size	Vessel Volume
<input type="checkbox"/>	SFP-20	1"	10-20 gpm (38-76 lpm)	20" (508mm) DOE cotton wound	0.8 gal (3.0L)

**SPECIFICATION :**

Hydronic Filter Package shall be AXIOM INDUSTRIES LTD. model SFP-20. System shall include filter, sight flow indicator, ball valve, balancing valve, and nipples. Filter shall be constructed of 304SS filter housing with 304SS head and shall include two EPDM O-rings, brass drain valve with barb fitting and cap, and filter cartridge shall be a 25 micron cotton wound filter cartridge with tin core (5 micron replacement cartridges available separately). Sight flow indicator shall have a brass body and include EPDM O-rings, two tempered borosilicate glass windows, 304SS cage, TPX ball, and cork washers (non-wetted part). Ball valve shall be of brass construction. Manual balancing valve shall be of brass construction and comes with an integral air vent, memory stop, and shall be able to provide flow metering, flow balancing, and filter cartridge isolation. Three brass nipples shall each be 3" in length. The SFP series is not for potable water.

**LIMITED WARRANTY :**

The Axiom SFP Side Stream Filter Pak is warranted against defects in materials and workmanship for one year.

Project \_\_\_\_\_  
 Consultant \_\_\_\_\_  
 Unit Tag \_\_\_\_\_

Location \_\_\_\_\_  
 Contractor \_\_\_\_\_  
 Sales Agent \_\_\_\_\_