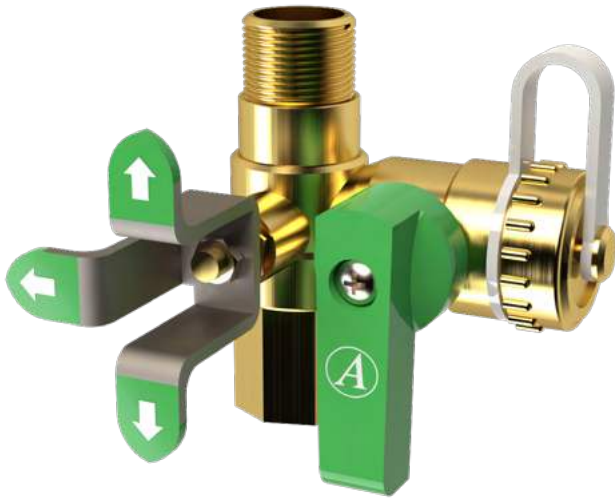


Expansion Tank Service Valve



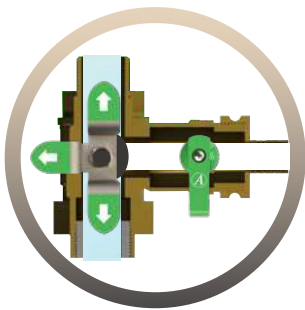
ETV-1



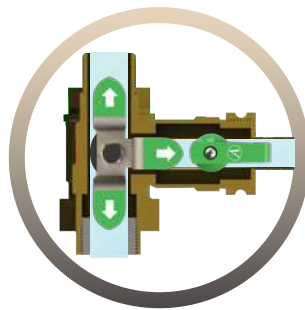
* For Hydronic Systems Only *

- ④ ½" Multi-function 3-way valve enables the contractor to:
 - Isolate and drain the expansion tank
 - Isolate and drain the closed-loop system
 - Fill the closed-loop system
- ④ Replaces multiple components and reduces Installation time
- ④ Forged brass ball valves with blow-out proof stem
- ④ ½" MNPT x ½" FNPT x ¾" GHT connections
- ④ Removable valve handles
- ④ Rated to 600psi

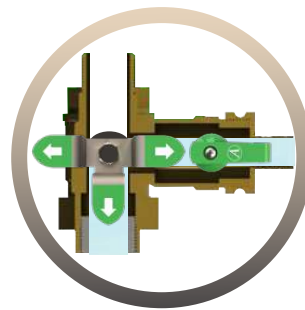
Valve Positions:



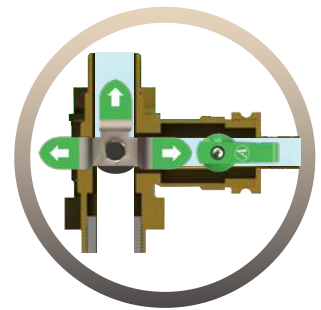
Normal Operation



Fill / Drain System & Expansion Tank



Fill / Drain Expansion Tank



Fill / Drain System

Axiom introduces the ETV-1 expansion tank service valve simplifies the process of filling, isolating, draining, and servicing a hydronic system and expansion tank.

✉ info@axiomind.com

☎ (877)651-1815

🌐 WWW.AXIOMIND.COM

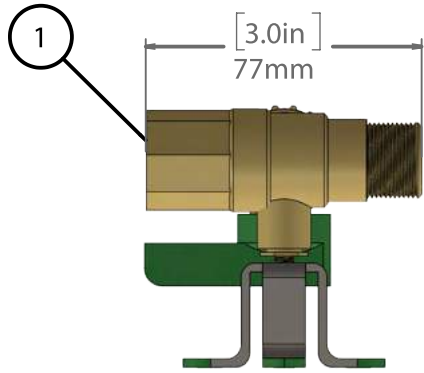
Pairs with

Hydro-NODE

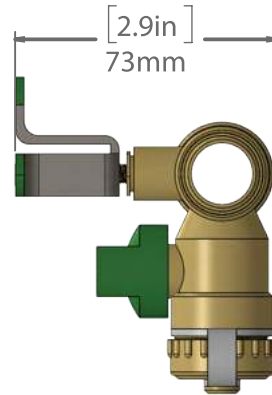
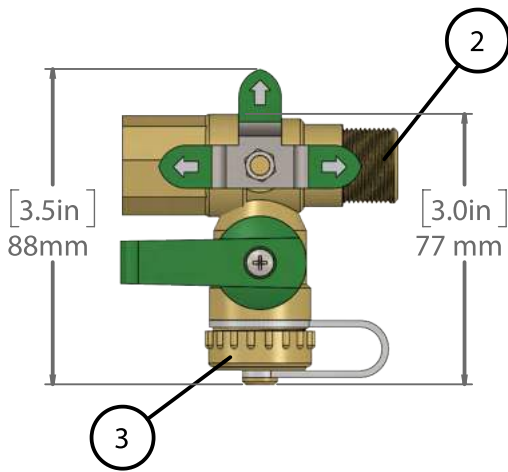


ETV-1 EXPANSION TANK SERVICE VALVE TECHNICAL INFORMATION

DIMENSIONS :



Item	Thread Type
1	Female NPT 1/2 "
2	Male NPT 1/2 "
3	GHT 3/4 "



WEIGHT : 0.45 kg, 1 lbs

SPECIFICATION :

Max. Temperature	212°F (110°C)
Min. Temperature	14°F (-10°C)
Max pressure	600 psi (4.13 MPa)
Material	Brass Body
Compatible fluids	<ul style="list-style-type: none"> - Water, propylene glycol in concentrations up to 50%. - Methanol (Max 50%) - Ethanol (Max 30%) <p style="color: green; font-size: small;">* Not for potable water *</p>

LIMITED WARRANTY :

The ETV-1 expansion tank service valve is warranted against defects in materials and workmanship for one year.

Project _____
 Consultant _____
 Unit Tag _____

Location _____
 Contractor _____
 Sales Agent _____