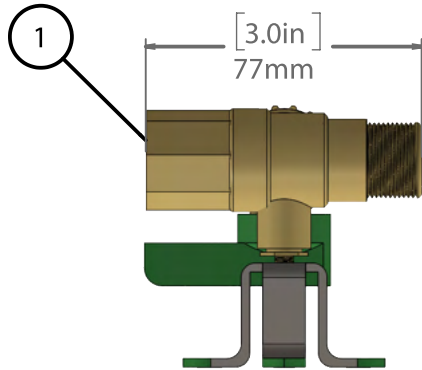


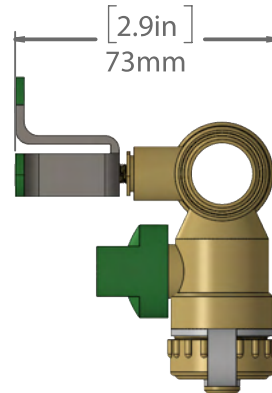
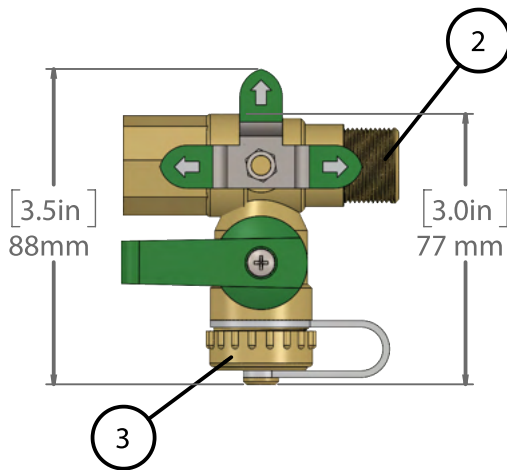


## ETV-1 EXPANSION TANK SERVICE VALVE TECHNICAL INFORMATION

**DIMENSIONS :**



Item	Thread Type
<b>1</b>	Female NPT 1/2 "
<b>2</b>	Male NPT 1/2 "
<b>3</b>	GHT 3/4 "



**WEIGHT :** 0.45 kg, 1 lbs

**SPECIFICATION :**

<b>Max. Temperature</b>	212°F (110°C)
<b>Min. Temperature</b>	14°F ( -10°C)
<b>Max pressure</b>	600 psi (4.13 MPa)
<b>Material</b>	Brass Body
<b>Compatible fluids</b>	<ul style="list-style-type: none"> <li>- Water, propylene glycol in concentrations up to 50%.</li> <li>- Methanol (Max 50%)</li> <li>- Ethanol (Max 30%)</li> </ul> <p style="color: green; font-size: small; margin-top: 5px;">* Not for potable water *</p>

**LIMITED WARRANTY :**

The ETV-1 expansion tank service valve is warranted against defects in materials and workmanship for one year.

Project \_\_\_\_\_  
 Consultant \_\_\_\_\_  
 Unit Tag \_\_\_\_\_

Location \_\_\_\_\_  
 Contractor \_\_\_\_\_  
 Sales Agent \_\_\_\_\_