

PEX-Pal

Tubing Organizer



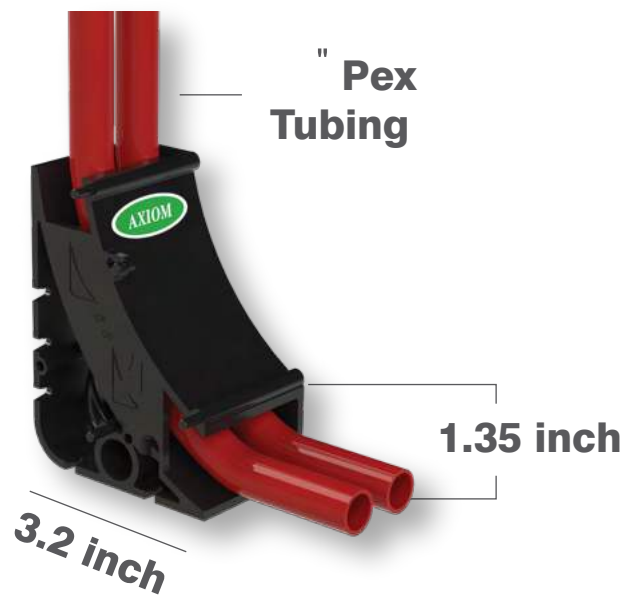
PEX-Jr



PEX-Jr

- ➊ New Tubing Bracket designed for overpour applications
- ➋ Bracket modules fit together to match the manifold loops
- ➌ Modules can accommodate up to ½" PEX (Both supply & return line from manifold loop)
- ➍ Brackets can be reversed for piping in opposite directions
- ➎ Fits inside a 2"x4" interior wall
- ➏ Organizes & protects tubing at the floor surface

For over-pour radiant applications
up to ½" O.D. PEX



The PEX-Jr tubing organizer is a stand-up Bracket that allows you to easily collect and organize in-floor tubing commonly used in over-pour radiant floor heating installations.

✉ info@axiomind.com

☎ (877)651-1815

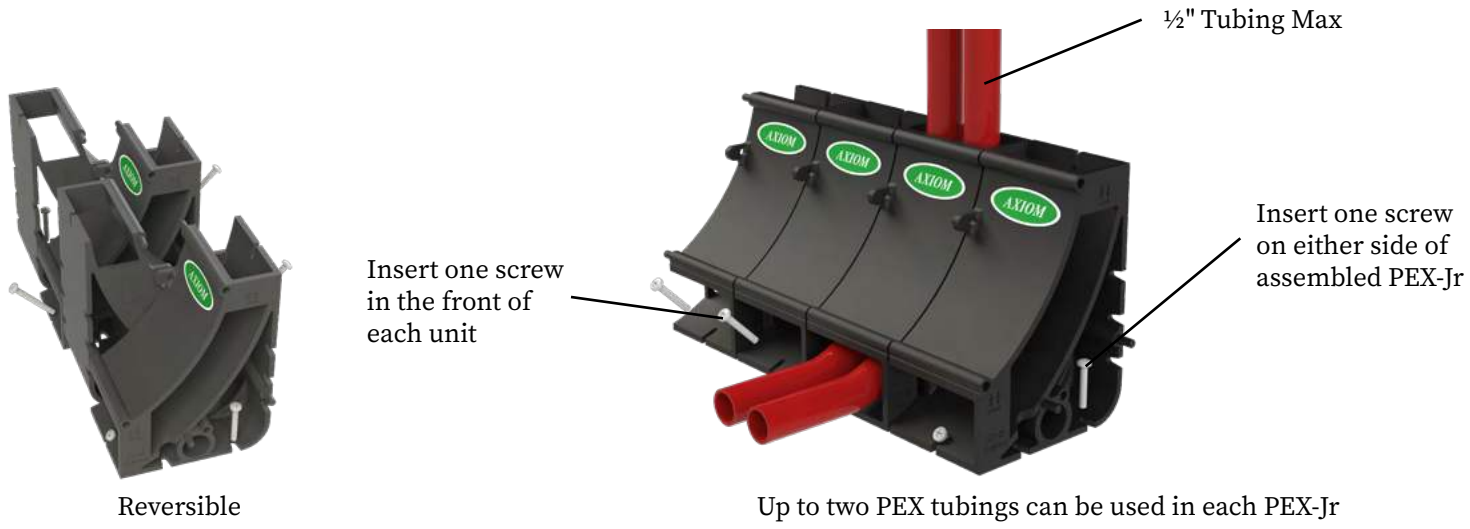
🌐 WWW.AXIOMIND.COM

PEX-Pal Jr™

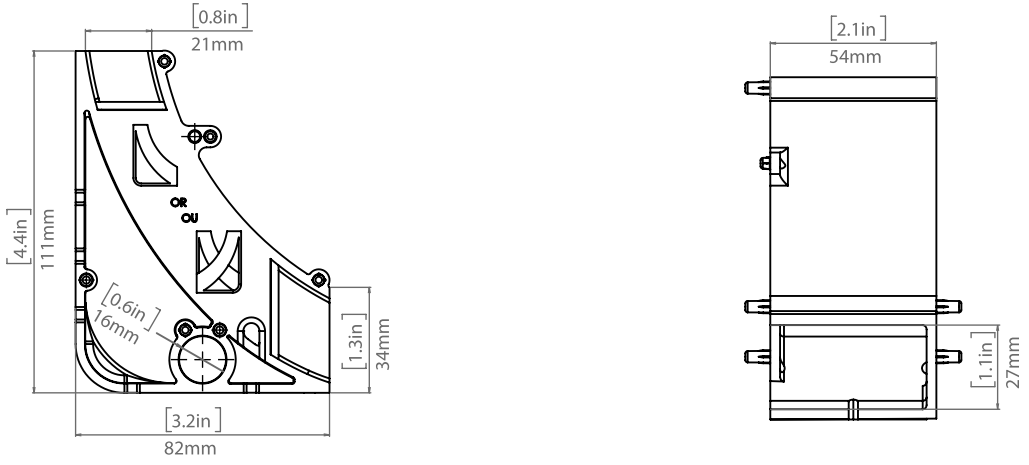


PEX-Jr TUBING ORGANIZER TECHNICAL INFORMATION

INSTRUCTIONS: Slide PEX-Jr together as shown: Use screws suitable for your application to fasten the units down securely to the floor



DIMENSIONS:



WEIGHT: 0.068 kg, 0.15 lbs

SPECIFICATION:

Modular PEX tubing bend supports shall be used at all manifold stations. The support shall maintain a bend radius larger than the manufacturers' recommended minimum for 1/2" and smaller PEX pipe. The channel design shall keep the loop supply and return pipes together and position them at the correct spacing required for connection to the manifold. Modules shall be press fit together and shall be reversible to allow for PEX piping to be connected from front or back. The enclosed design shall protect the tubing at the floor surface. Supports to be Axiom Industries Ltd. PEX-Jr.

LIMITED WARRANTY:

The PEX-Jr is warranted against defects in materials and workmanship for one year.

Project _____
 Consultant _____
 Unit Tag _____

Location _____
 Contractor _____
 Sales Agent _____