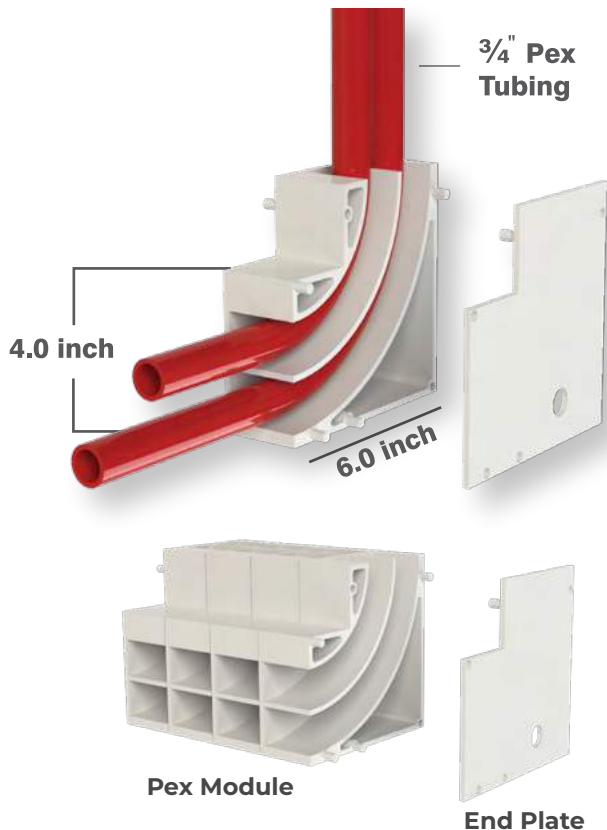


# Pex-Pal

## Tubing Organizer



# PEXPal Module



- Two-Channel stand-up bracket organizes and protects tubing at the poured floor surface
- Each module keeps the supply and return pipes separate
- Modules are easily press fit together to match the manifold loops
- Installer can add as many modules required to match the number of loops
- Mounts to decking, rebar, ready-rod, temporary manifold support or wooden forms
- Reversibility of each module allows individual zones to be piped from opposite directions
- Maintains a larger bend radius than manufacturers' recommended minimum for 3/4" and smaller PEX tubing
- Easy installations, maintains organizations, and cuts down installation times
- Constructed of high impact strength plastic

For up to 3/4" O.D. Pex

The 'PEX Pal' is a tubing collector and organizer for radiant heating in-floor installations. The modular two-channel design positions the supply and return pipes at the correct spacing required for connection to the manifolds.

✉ info@axiomind.com

☎ (877)651-1815

🌐 WWW.AXIOMIND.COM

*PEX-Pal*<sup>™</sup>



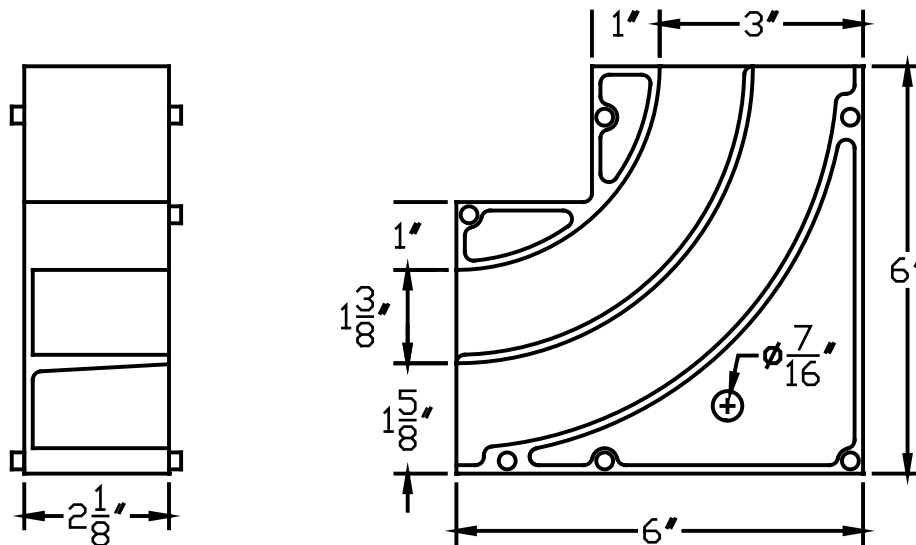
## PEXPAL TUBING ORGANIZER BRACKET TECHNICAL INFORMATION

### INSTRUCTIONS :

Each manifold station requires one PexPal module per loop and one End Plate per manifold (E.g. 8 loops manifold requires 8 PexPals and 1 End Plate). Each PEX-Pal module supports the supply and return pipe for one loop.

Line up each module in the proper orientation and firmly press them flush together. Add the end plate if one of the open sides remain exposed. Fasten the block of modules firmly to decking, rebar, ready-rod, temporary manifold support or wooden form using screws. Push the free end of the tubing through the channel guide on the PEX-Pal and connect it to the supply manifold. Proceed to lay the tubing circuit and slide the return line in the second channel guide before connecting to the return manifold.

### DIMENSIONS :



**WEIGHT :** 0.294 kg, 0.65 lbs

### SPECIFICATION :

PEXPal tubing bend supports shall be used at all manifold stations. The support shall maintain a bend radius larger than the manufacturers' recommended minimum for  $\frac{3}{4}$ " and smaller PEX pipe. A two-channel design shall keep the supply and return pipes separate and position them at the correct spacing required for connection to the manifold. Modules shall be press fit together and shall be reversible to allow for PEX piping to be connected from front or back. The enclosed design shall protect the tubing at the floor surface. The organizer shall be installed at a fixed position, which ensures a minimum distance of 1" between the top of the slab and the top of the PEX tubing. Supports to be Axiom Industries Ltd. PEX-Pal.

### LIMITED WARRANTY :

The PEXPal is warranted against defects in materials and workmanship for one year.

Project \_\_\_\_\_  
Consultant \_\_\_\_\_  
Unit Tag \_\_\_\_\_

Location \_\_\_\_\_  
Contractor \_\_\_\_\_  
Sales Agent \_\_\_\_\_