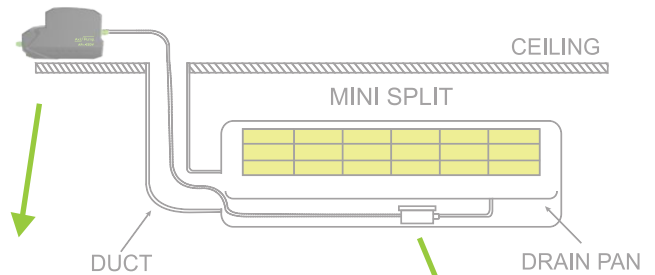


Condensate Pumps



APm-33DV

ULTRA QUIET MINI SPLIT CONDENSATE PUMP



PUMP



CONDENSATE RESERVOIR

▶ 33' Max Lift

- | | |
|-----------------------------|--------------------------------------|
| ▶ Max 33' Lift | ▶ Built-in High Level Switch |
| ▶ Dual Voltage (100 - 240v) | ▶ Low Power Consumption |
| ▶ Ultra Quiet | ▶ 1oz (35ml) Reservoir |
| ▶ Simple Wiring Connections | ▶ Stainless Steel Serviceable filter |

Axi-Pump Mini-Split Condensate Pump is the best solution for ductless mini-split appliances.

✉ info@axiomind.com

☎ (877)651-1815

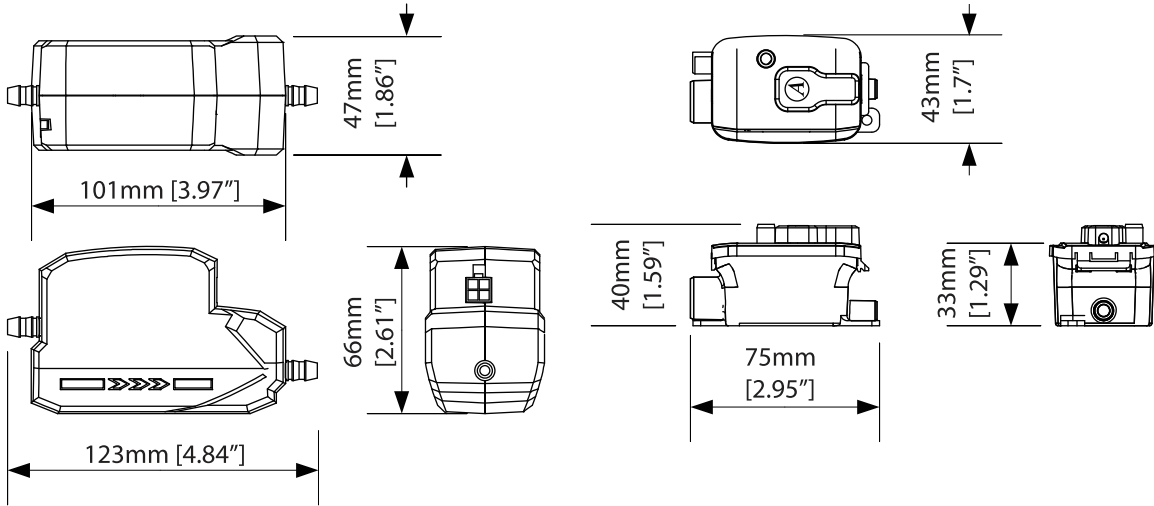
🌐 WWW.AXIOMIND.COM





APm-33DV Mini-Split Condensate Pump Technical Information

Dimensions:



Weight:

1 lbs (empty)

Electrical:

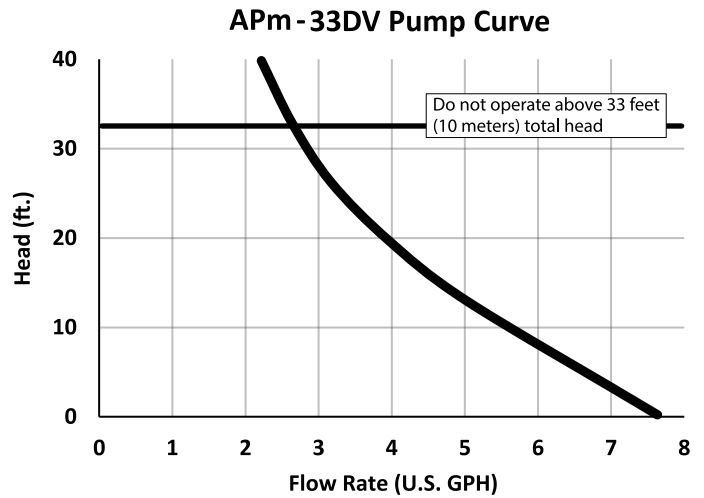
100-240VAC, 60Hz, single phase
 Rated Power: 0.03A. 2.5W
 3 Amp. max. high level safety switch

Pump Performance:

Submerged pump is self-priming
 Standard head: 10m (33ft)



CONFORMS TO UL STD. 778
 CERTIFIED TO CSA STD. C22.2 NO. 108



Specification:

The mini-split condensate pump shall be AXIOM INDUSTRIES LTD. model APm-33DV. System shall include 35 mL (1 oz) reservoir made from transparent PC (Polycarbonate); pump made of ABS; 6mm I.D. x 9mm O.D. x 1.5m (4.9 ft.) long pump-reservoir connection hose; 12mm I.D. x 21mm O.D. x 40mm (1.5") long inlet hose; 6mm I.D. x 9mm O.D. x 100mm (3.9") long breather hose; 1/2" inlet hose barb adapter; stainless steel serviceable filter; 4 cable ties; 4 double-sided adhesive pads. 3 Amp. maximum high level safety switch; high level alarm cable, high level float cable between reservoir and pump, and power cord all 1.5m (4.9ft.) in length.

Limited Warranty:

The "APm-33DV" is warranted against defects in materials and workmanship for two years.

Project Details :

Project _____
 Consultant _____
 Unit Tag _____

Location _____
 Contractor _____
 Sales Agent _____